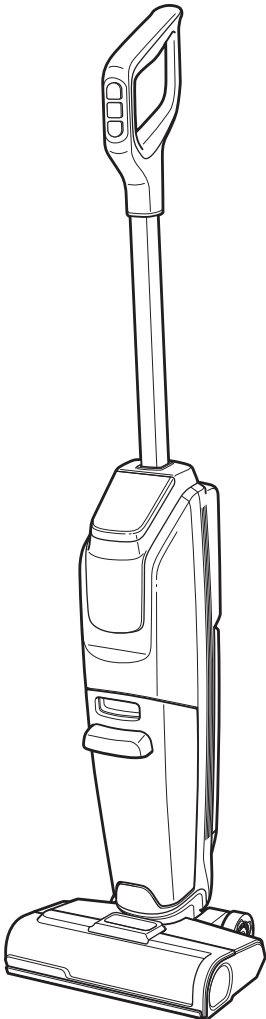




# CROSSWAVE® OMNIFORCE™ EDGE

3999, 4000, 4017 SERIES





.....3



.....4



.....5



.....6



.....8



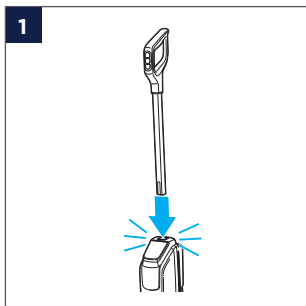
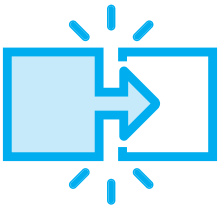
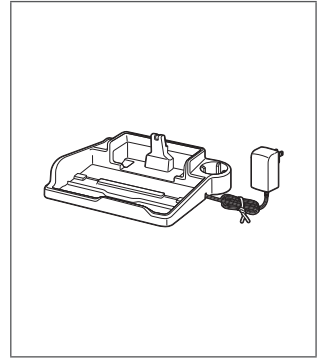
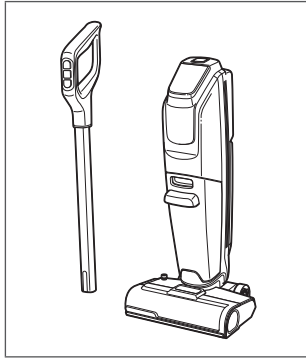
.....9

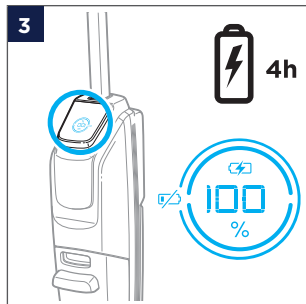
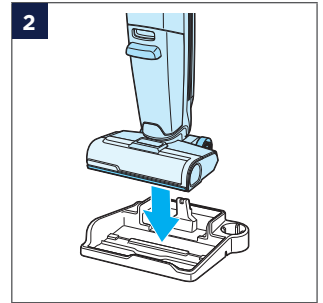
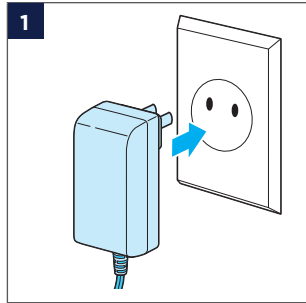


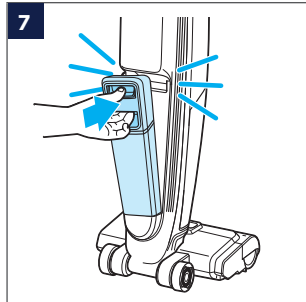
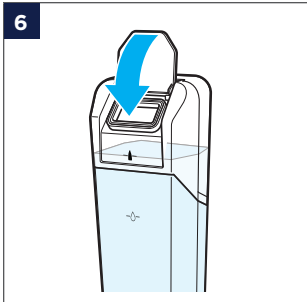
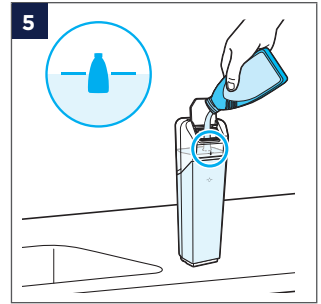
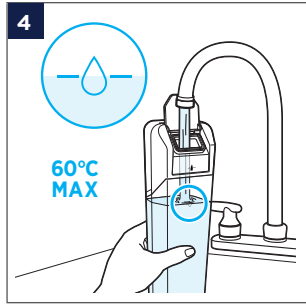
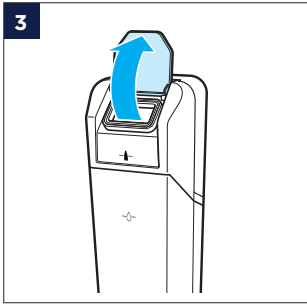
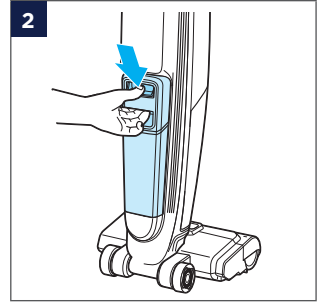
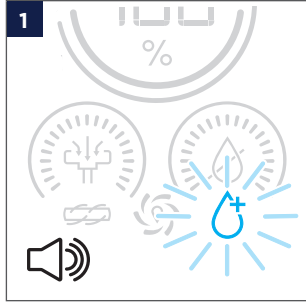
.....10



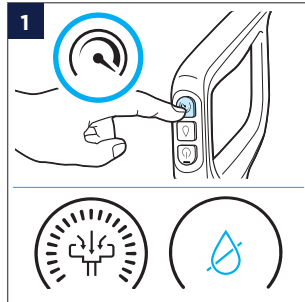
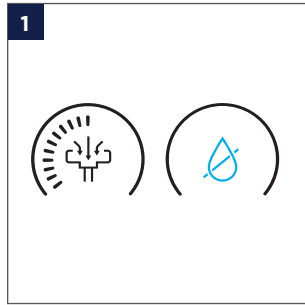
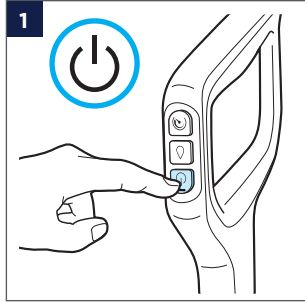
.....11

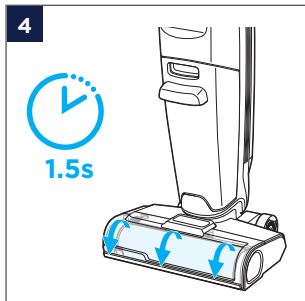
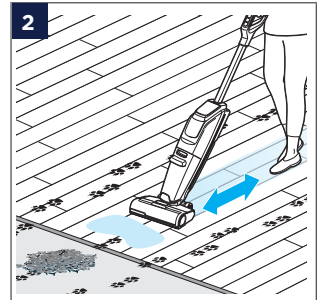
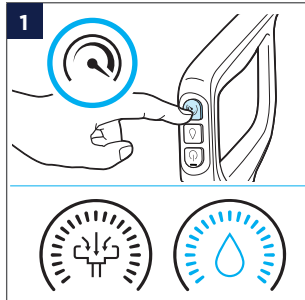
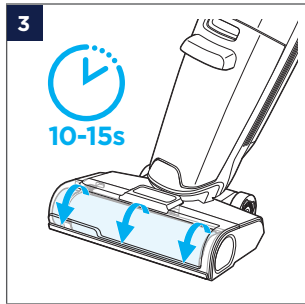
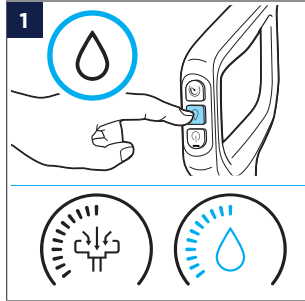


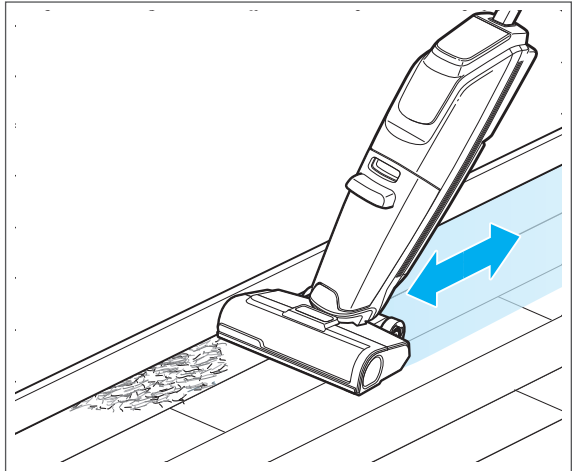
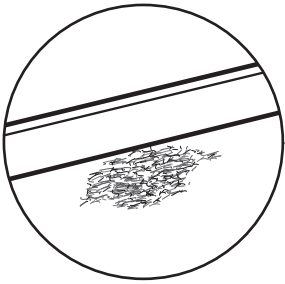
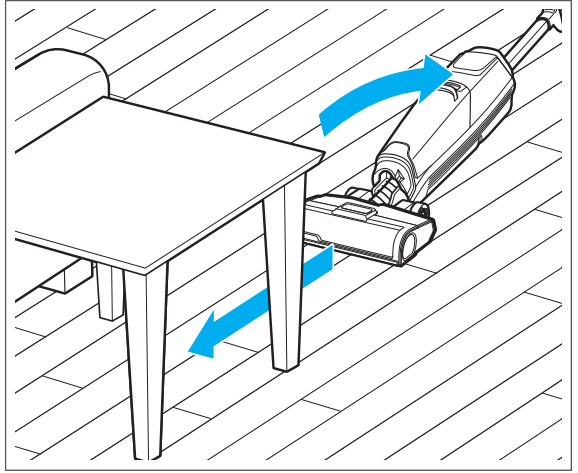
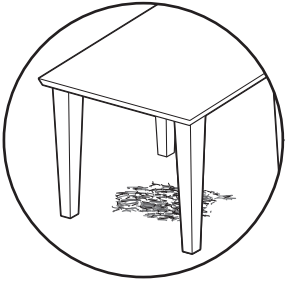




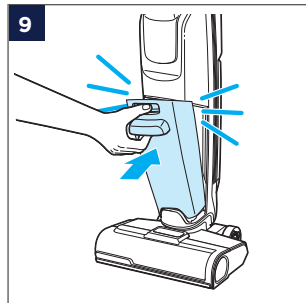
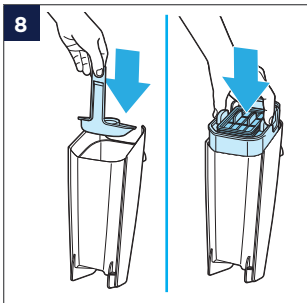
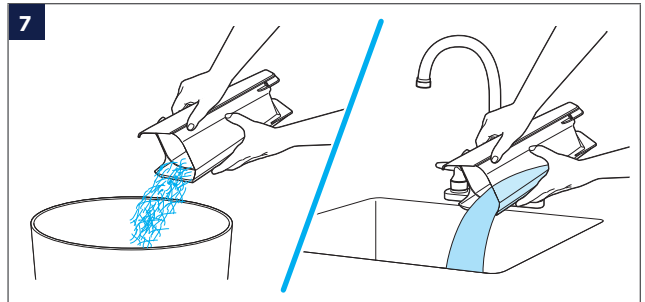
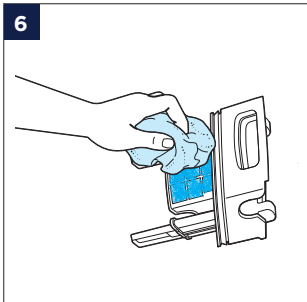
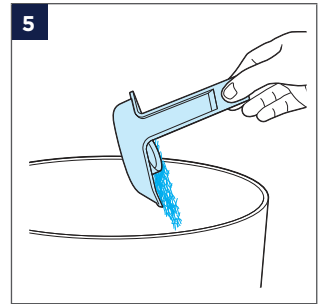
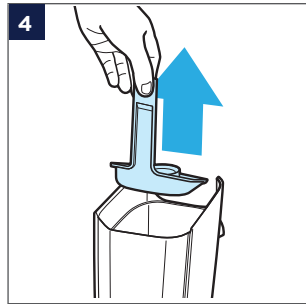
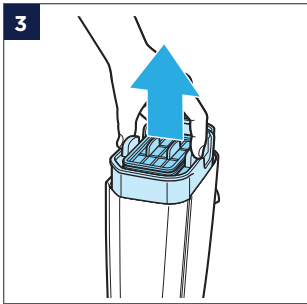
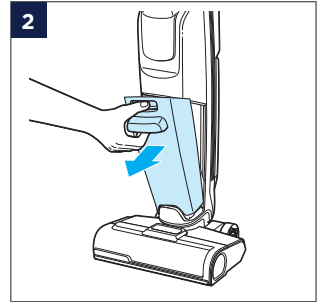
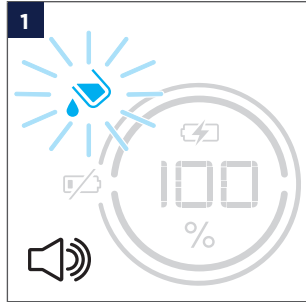
Natural Multi-Surface Cleaning Solution (3096, 3096I), Natural Multi-Surface Pet Cleaning Solution (3122, 3122I), Multi-Surface Cleaning Solution (1789L), Multi-Surface Pet Cleaning Solution (2550)





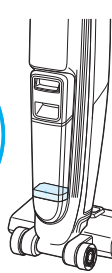
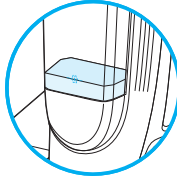




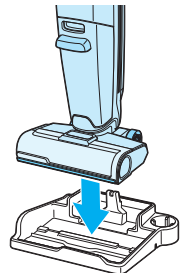




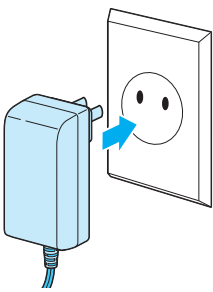
1



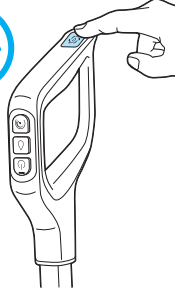
2



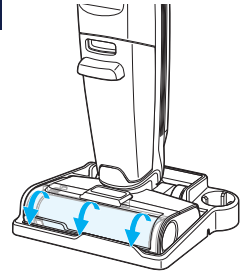
3



4



5



6

