

## **Oven**

User Manual

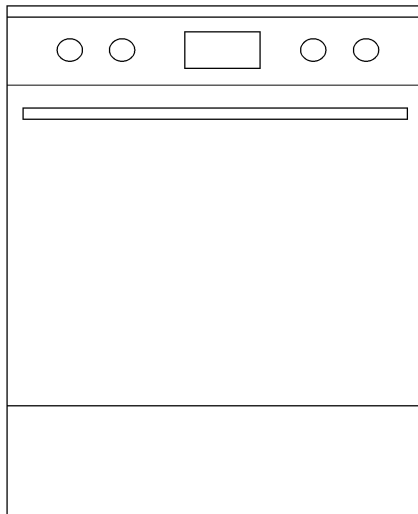
## **Плита**

Руководство  
пользователя

## **Krāsns**

Lietotāja rokasgrāmata

CSG 42002 FW



## Please read this user manual first!

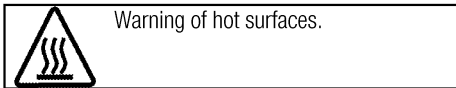
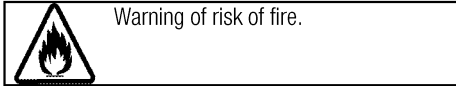
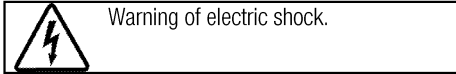
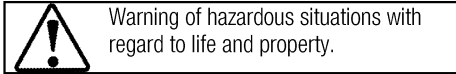
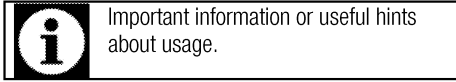
Dear Customer,

Thank you for purchasing this Beko product. We hope that you get the best results from your product which has been manufactured with high quality and state-of-the-art technology. Therefore, please read this entire user manual and all other accompanying documents carefully before using the product and keep it as a reference for future use. If you handover the product to someone else, give the user manual as well. Follow all warnings and information in the user manual.

Remember that this user manual is also applicable for several other models. Differences between models will be identified in the manual.

### Explanation of symbols

Throughout this user manual the following symbols are used:



**Arçelik A.Ş.**  
Karaağaç caddesi No:2-6  
34445 Söğütözü/İstanbul/TURKEY  
Made in TURKEY

CE

---

This product was manufactured using the latest technology in environmentally friendly conditions.

## TABLE OF CONTENTS

### **1 Important instructions and warnings for safety and environment 4**

General safety .....	4
Safety when working with gas .....	4
Product safety .....	5
Intended use .....	7
Safety for children.....	7
Disposing of the old product.....	7
Package information .....	7
Future Transportation.....	7

### **2 General information 9**

Overview .....	9
Package contents .....	10
Technical specifications .....	10
Injector table .....	11

### **3 Installation 12**

Before installation .....	12
Installation and connection .....	12
Gas conversion .....	13

### **4 Preparation 16**

Tips for saving energy .....	16
Initial use .....	16
First cleaning of the appliance .....	16
Initial heating.....	16

### **5 How to use the hob 17**

General information about cooking .....	17
Using the hobs.....	17

### **6 How to operate the oven 19**

General information on baking, roasting.....	19
How to use the gas oven.....	19
Cooking times table.....	20

### **7 Maintenance and care 21**

General information .....	21
Cleaning the hob .....	21
Cleaning the control panel .....	21
Cleaning the oven .....	21
Removing the oven door .....	21
Removing the door inner glass .....	22

### **8 Troubleshooting 23**

## **1 Important instructions and warnings for safety and environment**

This section contains safety instructions that will help protect from risk of personal injury or property damage. Failure to follow these instructions shall void any warranty.

### **General safety**

- This appliance can be used by children aged from 8 years and above and persons with reduced physical, sensory or mental capabilities or lack of experience and knowledge if they have been given supervision or instruction concerning use of the appliance in a safe way and understand the hazards involved.

Children shall not play with the appliance. Cleaning and user maintenance shall not be made by children without supervision.

- Never place the product on a carpet-covered floor. Otherwise, lack of airflow beneath the product will cause electrical parts to overheat. This will cause problems with your product.
- Installation and repair procedures must always be performed by Authorized Service Agents. The manufacturer shall not be held responsible for damages arising from procedures carried out by unauthorized persons which may

also void the warranty. Before installation, read the instructions carefully.

- Do not operate the product if it is defective or has any visible damage.
- Ensure that the product function knobs are switched off after every use.

### **Safety when working with gas**

- Any works on gas equipment and systems may only be carried out by authorised qualified persons who are Gas Safe registered.
- Prior to the installation, ensure that the local distribution conditions (nature of the gas and gas pressure) and the adjustment of the appliance are compatible.
- This appliance is not connected to a combustion products or evacuation device. It shall be installed and connected in accordance with current installation regulations. Particular attention shall be given to the relevant requirements regarding ventilation; See *Before installation*, page 12
- The use of gas cooking appliance results in the production of heat and moisture in the room in which it is installed. Ensure that the

kitchen is well ventilated: keep natural ventilation holes open or install a mechanical ventilation device (mechanical extractor hood). Prolonged intensive use of the appliance may call for additional ventilation, for example increasing the level of the mechanical ventilation where present.

- Gas appliances and systems must be regularly checked for proper functioning. Regulator, hose and its clamp must be checked regularly and replaced within the periods recommended by its manufacturer or when necessary.
- Clean the gas burners regularly. The flames should be blue and burn evenly.
- Good combustion is required in gas appliances. In case of incomplete combustion, carbon monoxide (CO) might develop. Carbon monoxide is a colourless, odourless and very toxic gas, which has a lethal effect even in very small doses.
- Request information about gas emergency telephone numbers and safety measures in case of gas smell from you local gas provider.

### **What to do when you smell gas**

- Do not use open flame or do not smoke. Do not operate any

electrical buttons (e.g. lamp button, door bell and etc.) Do not use fixed or mobile phones. Risk of explosion and toxication!

- Open doors and windows.
- Turn off all valves on gas appliances and gas meter at the main control valve, unless it's in a confined space or cellar.
- Check all tubes and connections for tightness. If you still smell gas leave the property.
- Warn the neighbours.
- Call the fire-brigade. Use a telephone outside the house.
- Do not re-enter the property until you are told it is safe to do so.

### **Product safety**

- The appliance and its accessible parts become hot during use. Care should be taken to avoid touching heating elements. Children less than 8 years of age shall be kept away unless continuously supervised.
- Never use the product when your judgment or coordination is impaired by the use of alcohol and/or drugs.
- Be careful when using alcoholic drinks in your dishes. Alcohol evaporates at high temperatures and may cause fire since it can ignite when it comes into contact with hot surfaces.

- Do not place any flammable materials close to the product as the sides may become hot during use.
- During use the appliance becomes hot. Care should be taken to avoid touching heating elements inside the oven.
- Keep all ventilation slots clear of obstructions.
- Do not heat closed tins and glass jars in the oven. The pressure that would build-up in the tin/jar may cause it to burst.
- Do not place baking trays, dishes or aluminium foil directly onto the bottom of the oven. The heat accumulation might damage the bottom of the oven.
- Do not use harsh abrasive cleaners or sharp metal scrapers to clean the oven door glass since they can scratch the surface, which may result in shattering of the glass.
- Do not use steam cleaners to clean the appliance as this may cause an electric shock.
- Placing the wire shelf and tray onto the wire racks properly  
It is important to place the wire shelf and/or tray onto the rack properly. Slide the wire shelf or tray between 2 rails and make sure that it is balanced before placing food on it (Please see the following figure).
- Do not use the product if the front door glass removed or cracked.
- Always use heat resistant oven gloves when putting in or removing dishes into/from the hot oven.
- Place the baking paper into the cooking pot or on to the oven accessory (tray, wire grill etc) together with the food and then insert all into the preheated oven. Remove the excess parts of the baking paper overflowing from the accessory or the pot in order to prevent the risk of touching the oven's heating elements. Never use the baking paper in an operating temperature higher than the indicated value for the baking paper. Do not place the baking paper directly on the base of the oven.
- Do not close the top cover before the hotplates or burners cool down.  
Wipe the top cover dry before opening it in order to avoid water leakage to the rear and inner sections of the oven.
- Unattended cooking on a hob with fat or oil can be dangerous and may result in fire. NEVER try to extinguish a fire with water, but switch off the appliance and then

cover flame e.g. with a lid or a fire blanket.

- Danger of fire: Do not store items on the cooking surfaces.

Prevention against possible fire risk!

- Ensure all electrical connections are secure and tight to prevent risk of arcing.
- Do not use damaged cables or extension cables.
- Ensure liquid or moisture is not accessible to the electrical connection point.
- To prevent gas leakage ensure that the gas connection is sound.

### **Intended use**

- This product is designed for domestic use. Commercial use will void the guarantee.
- This appliance is for cooking purposes only. It must not be used for other purposes, for example room heating.
- The manufacturer shall not be liable for any damage caused by improper use or handling errors.
- The oven can be used for defrosting, baking, roasting and grilling food.

### **Safety for children**

- Accessible parts may become hot during use. Young children should be kept away.
- The packaging materials will be dangerous for children. Keep the packaging materials away from

children. Please dispose of all parts of the packaging according to environmental standards.

- Electrical and/or gas products are dangerous to children. Keep children away from the product when it is operating and do not allow them to play with the product.
- An additional protective means to avoid contact with the oven door is available. This part should be fitted when young children are likely to be present.
- Do not place any items above the appliance that children may reach for.
- When the door is open, do not load any heavy object on it and do not allow children to sit on it. It may overturn or door hinges may get damaged.

### **Disposing of the old product**

#### **Package information**

- Packaging materials of the product are manufactured from recyclable materials in accordance with our National Environment Regulations. Do not dispose of the packaging materials together with the domestic or other wastes. Take them to the packaging material collection points designated by the local authorities.

#### **Future Transportation**

- Keep the product's original carton and transport the product in it. Follow the instructions on the carton. If you do not have the original carton, pack the product in bubble wrap or thick cardboard and tape it securely.
- To prevent the wire grill and tray inside the oven from damaging the oven door, place a strip of cardboard onto the inside of the oven door that

lines up with the position of the trays. Tape the oven door to the side walls.

- Secure the caps and pan supports with adhesive tape.
- Do not use the door or handle to lift or move the product.



Do not place any objects onto the product and move it in upright position.

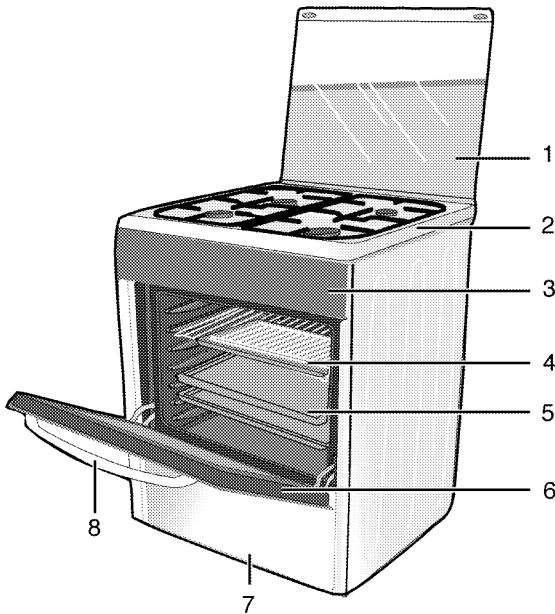


Check the general appearance of your product for any damages that might have occurred during transportation.

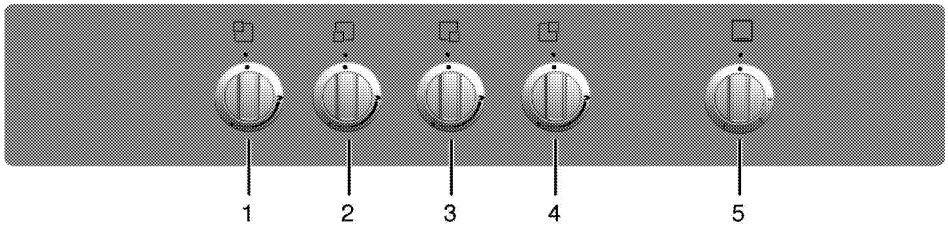


## 2 General information

### Overview



- |   |               |   |            |
|---|---------------|---|------------|
| 1 | Top lid       | 5 | Tray       |
| 2 | Burner plate  | 6 | Front door |
| 3 | Control panel | 7 | Lower part |
| 4 | Wire shelf    | 8 | Handle     |



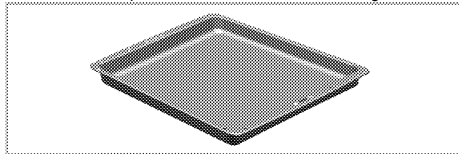
- |   |                             |
|---|-----------------------------|
| 1 | Normal burner Rear left     |
| 2 | Auxiliary burner Front left |
| 3 | Rapid burner Front right    |
| 4 | Normal burner Rear right    |
| 5 | Oven knob                   |

## Package contents



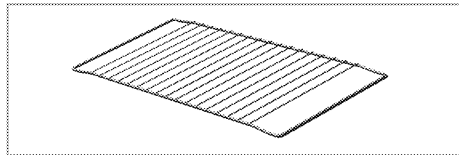
Accessories supplied can vary depending on the product model. Not every accessory described in the user manual may exist on your product.

1. **User manual**
2. **Oven tray**  
Used for pastries, frozen foods and big roasts.



### 3. Wire Shelf

Used for roasting and for placing the food to be baked, roasted or cooked in casserole dishes to the desired rack.



## Technical specifications

GENERAL	
External dimensions (height / width / depth)	850 mm/500 mm/500 mm
Category of gas product	II 2H3B/P
Gas type / pressure	NG G 20/20 mbar
Total gas consumption	9.5 kW
Converting the gas type / pressure <sup>S</sup>	LPG G 30/30 mbar
– optional	
HOB	
Burners	
Rear left	<b>Normal burner</b>
Power	2.0 kW
Front left	<b>Auxiliary burner</b>
Power	1.0 kW
Front right	<b>Rapid burner</b>
Power	2.5 kW
Rear right	<b>Normal burner</b>
Power	2.0 kW
OVEN	
<b>Main oven</b>	<b>Gas oven</b>
Gas consumption of oven	2.0 kW



Technical specifications may be changed without prior notice to improve the quality of the product.



Figures in this manual are schematic and may not exactly match your product.



Values stated on the product labels or in the documentation accompanying it are obtained in laboratory conditions in accordance with relevant standards. Depending on operational and environmental conditions of the product, these values may vary.

## Injector table

Position hob zone	2.0 kW Rear left	1.0 kW Front left	2.5 kW Front right	2.0 kW Rear right
Gas type / Gas pressure				
G 20/20 mbar	103	72	125	103
G 30/28-30 mbar	72	50	80	72
Gas type / Gas pressure	Gas oven			
G 20/20 mbar	105			
G 30/28-30 mbar	71			

### 3 Installation

Product must be installed by a qualified person in accordance with the regulations in force. The manufacturer shall not be held responsible for damages arising from procedures carried out by unauthorized persons which may also void the warranty.



Preparation of location and electrical and gas installation for the product is under customer's responsibility.



**DANGER:**

The product must be installed in accordance with all local gas and/or electrical regulations.



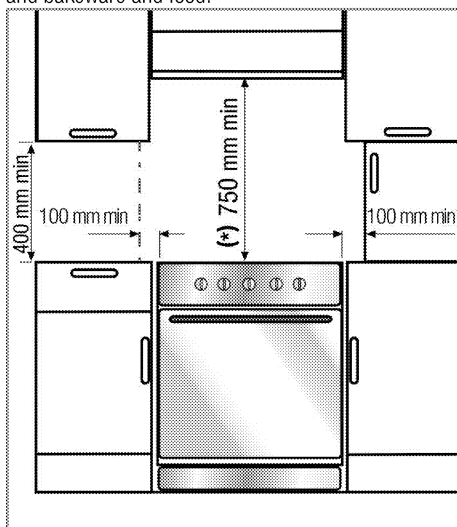
**DANGER:**

Prior to installation, visually check if the product has any defects on it. If so, do not have it installed.  
Damaged products cause risks for your safety.

#### Before installation

To ensure that critical air gaps are maintained under the appliance, we recommend that this appliance is mounted on a solid base and that the feet do not sink into any carpet or soft flooring.

The kitchen floor must be able to carry the weight of the appliance plus the additional weight of cookware and bakeware and food.



- It can be used with cabinets on either side but in order to have a minimum distance of 400mm above hotplate level allow a side clearance of

100 mm between the appliance and any wall, partition or tall cupboard.

- It can also be used in a free standing position. Allow a minimum distance of 750 mm above the hob surface.
- (\*) If a cooker hood is to be installed above the cooker, refer to cooker hood manufacturer' instructions regarding installation height (min 650 mm).
- The appliance corresponds to device class 1, i.e. it may be placed with the rear and **one** side to kitchen walls, kitchen furniture or equipment of any size. The kitchen furniture or equipment on the **other** side may only be of the same size or smaller.
- Any kitchen furniture next to the appliance must be heat-resistant (100 °C min.).

#### Room ventilation

All rooms require an openable window, or equivalent, and some rooms will require a permanent vent as well. The air for combustion is taken from the room air and the exhaust gases are emitted directly into the room. Good room ventilation is essential for safe operation of your appliance. If there is no window or door available for room ventilation, an extra ventilation must be installed.

The appliance may be located in a kitchen, kitchen/diner or a bed-sitting room, but not in a room containing a bath or shower. The appliance must not be installed in a bed-sitting room of less than 20m<sup>3</sup>. Do not install this appliance in a room below ground level unless it is open to ground level on at least one side.

Room size	Ventilation opening
smaller than 5 m <sup>3</sup>	min. 100 cm <sup>2</sup>
5 m <sup>3</sup> to 10 m <sup>3</sup>	min. 50 cm <sup>2</sup>
greater than 10 m <sup>3</sup>	not required
In the cellar or basement	min. 65 cm <sup>2</sup>


#### Installation and connection

Product can only be installed and connected in accordance with the statutory installation rules.





Do not install the product next to refrigerators or freezers. The heat emitted by the product will increase the energy consumption of cooling appliances.

- Carry the product with at least two persons.
- Product must be placed directly on the floor. It must not be placed onto a base or a pedestal.


 Do not use the door and/or handle to carry or move the product. The door, handle or hinges get damaged.

### Gas connection


 **DANGER:**  
Product can be connected to gas supply system only by an authorised and qualified person or technician with licence. Risk of explosion or toxication due to unprofessional repairs!  
Manufacturer shall not be held responsible for damages arising from procedures carried out by unauthorised or unlicensed persons.

 **DANGER:**  
Before starting any work on the gas installation, disconnect the gas supply. There is the risk of explosion!

- Gas adjustment conditions and values are stated on labels (or ion type label).

 Your product is equipped for natural gas (NG).

- Natural gas installation must be prepared before installing the product.
- There must be a pipe (Piping advised to be bought from a licensed installer), must comply with local gas standard, at the outlet of the installation for the natural gas connection of your product and the tip of this pipe must be closed with a blind plug. Service Representative will remove the blind plug during connection and connect your product by means of a straight connection device (coupling).
- Make sure that the natural gas valve is readily accessible.
- If you need to use your product later with a different type of gas, you must consult the Authorised Service Agent for the related conversion procedure.

 **DANGER:**  
The gas hose must not be clamped, bent or trapped or come into contact with hot parts of the product. There is the risk of explosion due to damaged gas hose.


- Push the product towards the kitchen wall.
- **Adjusting the feet of oven**

Vibrations during use may cause cooking vessels to move. This dangerous situation can be avoided if the product is level and balanced.


For your own safety please ensure the product is level by adjusting the four feet at the bottom by turning left or right and align level with the work top.

### Final check

1. Open gas supply.
2. Check gas installations for secure fitting and tightness.
3. Ignite burners and check appearance of the flame.

 Flame must be blue and have a regular shape. If the flame is yellowish, check if the burner cap is seated securely or clean the burner.


### Gas conversion

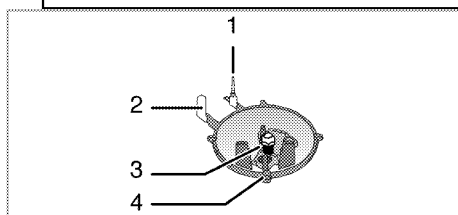
 **DANGER:**  
Before starting any work on the gas installation, disconnect the gas supply. There is the risk of explosion!

In order to change your appliance's gas type, change all injectors and make flame adjustment for all valves at reduced flow rate position.

### Exchange of injector for the burners

1. Take off burner cap and burner body.
2. Unscrew injectors by turning the counter-clockwise.
3. Fit new injectors.
4. Check all connections for secure fitting and tightness.

 New injectors have their position marked on their packing or injector table on *Injector table, page 11* can be referred to.



- 1 Flame failure device (model dependant)
- 2 Spark plug
- 3 Injector
- 4 Burner



Unless there is an abnormal condition, do not attempt to remove the gas burner taps. You must call an Authorised service agent or technician with licence if it is necessary to change the taps.

### Reduced gas flow rate setting for hob taps

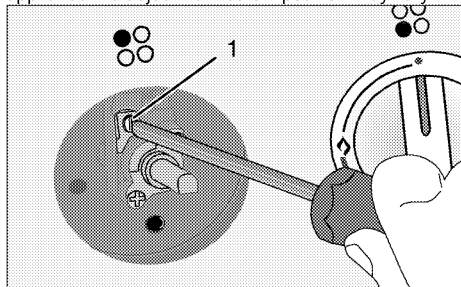
1. Ignite the burner that is to be adjusted and turn the knob to the reduced position.
2. Remove the knob from the gas tap.
3. Use an appropriately sized screwdriver to adjust the flow rate adjustment screw.

For LPG (Butane - Propane) turn the screw clockwise. For the natural gas, you should turn the screw counter-clockwise.

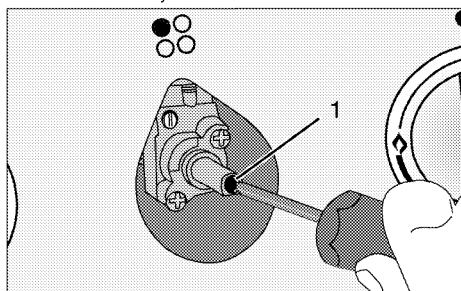
» The normal length of a straight flame in the reduced position should be 6-7 mm.

4. If the flame is higher than the desired position, turn the screw clockwise. If it is smaller turn anticlockwise.
5. For the last control, bring the burner both to high-flame and reduced positions and check whether the flame is on or off.

Depending on the type of gas tap used in your appliance the adjustment screw position may vary.



1 Flow rate adjustment screw

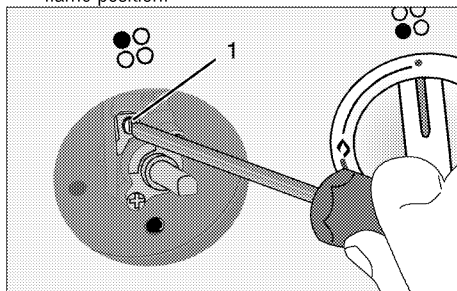


1 Flow rate adjustment screw

### Reduced flow adjustment for the gas oven

For the appropriate functioning of the oven re-checking the by-pass adjustment is extremely important. In order to provide maximum security to the user these operations have to be done with care.

1. Ignite the burner that is to be adjusted and turn the knob to the high flame position.
2. Close the oven door and wait for 10 to 15 minutes until the oven becomes ready for adjustment.
3. Take out the knob
4. After 15 minutes, adjust the oven to the lowest flame position.



5. Set the flame length to 2 to 3 mm by means of the screw 1 on the oven tap. Turning in clockwise direction reduces the flame, turning counter-clockwise increases the flame.



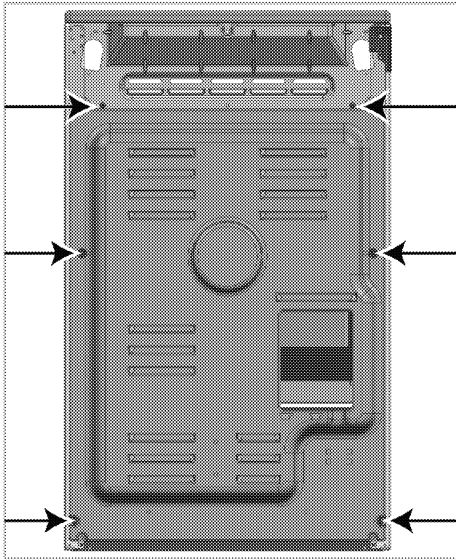
If gas flow rate of oven cannot be set with removing knob. Please remove the control panel and then set the gas flow rate of oven.



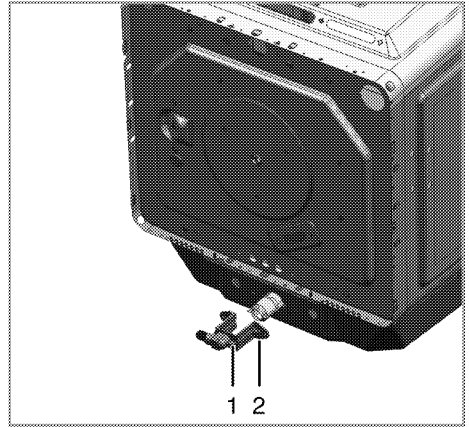
If the temperature of the oven increases unattendedly, turn off the oven and call the authorised service agent or technician with licence to have oven thermostat repaired.

### Exchange of injector for the oven

1. Unscrew fastening screws of the back wall.



2. Unscrew the 2 screws (2) of the injector holder (1).



- 1 Injector holder
- 2 Screw
3. Pull out the injector holder.
4. Unscrew injector by turning to counter-clockwise direction.
5. Fit new injector.

**i** If the gas type of the unit is changed, then the rating plate that shows the gas type of the unit must also be changed.

Butan/propan	Natural gas
Tighten the screw by turning it clockwise until the end.	Loosen the screw
	1/2 round

## 4 Preparation

### Tips for saving energy

The following information will help you to use your appliance in an ecological way, and to save energy:

- Use dark coloured or enamel coated cookware in the oven since the heat transmission will be better.
- While cooking your dishes, perform a preheating operation if it is advised in the user manual or cooking instructions.
- Do not open the door of the oven frequently during cooking.
- Try to cook more than one dish in the oven at the same time whenever possible. You can cook by placing two cooking vessels onto the wire shelf.
- Cook more than one dish one after another. The oven will already be hot.
- Defrost frozen dishes before cooking them.
- Use pots/pans with cover for cooking. If there is no cover, energy consumption may increase 4 times.
- Select the burner which is suitable for the bottom size of the pot to be used. Always select the correct pot size for your dishes. Larger pots require more energy.

### Initial use

#### First cleaning of the appliance



The surface might get damaged by some detergents or cleaning materials.

Do not use aggressive detergents, cleaning powders/creams or any sharp objects during cleaning.

Do not use harsh abrasive cleaners or sharp metal scrapers to clean the oven door glass since they can scratch the surface, which may result in shattering of the glass.

1. Remove all packaging materials.

2. Wipe the surfaces of the appliance with a damp cloth or sponge and dry with a cloth.

#### Initial heating

Heat up the product for about 30 minutes and then switch it off. Thus, any production residues or layers will be burnt off and removed.



#### WARNING

Hot surfaces cause burns!

Product may be hot when it is in use. Never touch the hot burners, inner sections of the oven, heaters and etc. Keep children away. Always use heat resistant oven gloves when putting in or removing dishes into/from the hot oven.

#### Gas oven

1. Take all baking trays and the wire grill out of the oven.
2. Close the oven door.
3. Select the highest flame of the gas oven; see *How to use the gas oven, page 19*.
4. Operate the oven about 30 minutes.
5. Turn off your oven; See *How to use the gas oven, page 19*



Smoke and smell may emit for a couple of hours during the initial operation. This is quite normal. Ensure that the room is well ventilated to remove the smoke and smell. Avoid directly inhaling the smoke and the smell that emits.



## 5 How to use the hob

### General information about cooking



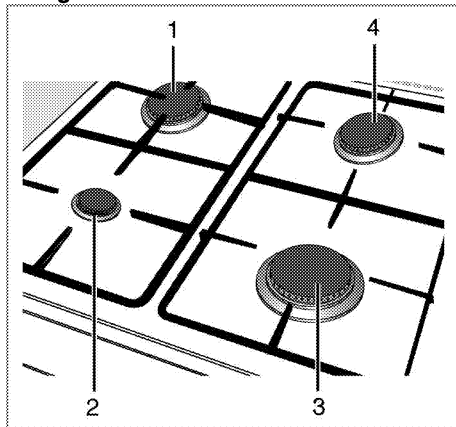
Never fill the pan with oil more than one third of it. Do not leave the hob unattended when heating oil. Overheated oils bring risk of fire. **Never attempt to extinguish a possible fire with water!** When oil catches fire, cover it with a fire blanket or damp cloth. Turn off the hob if it is safe to do so and call the fire department.

- Before frying foods, always dry them well and gently place into the hot oil. Ensure complete thawing of frozen foods before frying.
- Do not cover the vessel you use when heating oil.
- Place the pans and saucepans in a manner so that their handles are not over the hob to prevent heating of the handles. Do not place unbalanced and easily tilting vessels on the hob.
- Do not place empty vessels and saucepans on cooking zones that are switched on. They might get damaged.
- Operating a cooking zone without a vessel or saucepan on it will cause damage to the product. Turn off the cooking zones after the cooking is complete.
- As the surface of the product can be hot, do not put plastic and aluminum vessels on it. Such vessels should not be used to keep foods either.
- Use flat bottomed saucepans or vessels only.
- Put appropriate amount of food in saucepans and pans. Thus, you will not have to make any unnecessary cleaning by preventing the dishes from overflowing.  
Do not put covers of saucepans or pans on cooking zones.  
Place the saucepans in a manner so that they are centered on the cooking zone. When you want to move the saucepan onto another cooking zone, lift and place it onto the cooking zone you want instead of sliding it.

#### Gas cooking

- Size of the vessel and the flame must match each other. Adjust the gas flames so that they will not extend the bottom of the vessel and center the vessel on saucepan carrier.

### Using the hobs



- 1 Normal burner 18-20 cm
- 2 Auxiliary burner 12-16cm
- 3 Rapid burner 20-22 cm
- 4 Normal burner 18-20 cm is list of advised diameter of pots to be used on related burners.

Large flame symbol indicates the highest cooking power and small flame symbol indicates the lowest cooking power. In turned off position (top), gas is not supplied to the burners.

#### Igniting the gas burners

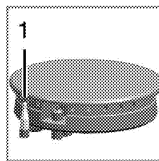
Burner is not equipped with automatic ignition. Use a lighter or match.

1. Keep burner knob pressed.
2. Turn it counter clockwise to large flame symbol.
3. Ignite the hob with lighter.
4. Adjust it to the desired cooking power.

#### Turning off the gas burners

Turn the knob to off (upper) position.

#### Gas shut off safety system (in models with thermic component)



1. Gas shut off safety

As a counter measure against blow out due to fluid overflows at burners, safety mechanism trips and shuts off the gas.

- Push the knob inwards and turn it counter clockwise to ignite.
- After the gas ignites, keep the knob pressed for 3-5 seconds more to engage the safety system.
- If the gas does not ignite after you press and release the knob, repeat the same procedure by keeping the knob pressed for 15 seconds.



**DANGER:**

Release the button if the burner is not ignited within 15 seconds.

Wait at least 1 minute before trying again.

There is the risk of gas accumulation and explosion!

## 6 How to operate the oven

### General information on baking, roasting



#### WARNING

Hot surfaces cause burns!  
Product may be hot when it is in use. Never touch the hot burners, inner sections of the oven, heaters and etc. Keep children away. Always use heat resistant oven gloves when putting in or removing dishes into/from the hot oven.



#### DANGER:

Be careful when opening the oven door as steam may escape.  
Exiting steam can scald your hands, face and/or eyes.

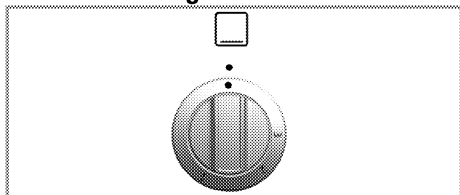
#### Tips for baking

- Use non-sticky coated appropriate metal plates or aluminum vessels or heat-resistant silicone moulds.
- Make best use of the space on the rack.
- Place the baking mould in the middle of the shelf.
- Select the correct rack position before turning the oven or grill on. Do not change the rack position when the oven is hot.
- Keep the oven door closed.

#### Tips for roasting

- Treating whole chicken, turkey and large piece of meat with dressings such as lemon juice and black pepper before cooking will increase the cooking performance.
- It takes about 15 to 30 minutes longer to roast meat with bones when compared to roasting the same size of meat without bones.
- Each centimeter of meat thickness requires approximately 4 to 5 minutes of cooking time.
- Let meat rest in the oven for about 10 minutes after the cooking time is over. The juice is better distributed all over the roast and does not run out when the meat is cut.
- Fish should be placed on the middle or lower rack in a heat-resistant plate.

### How to use the gas oven

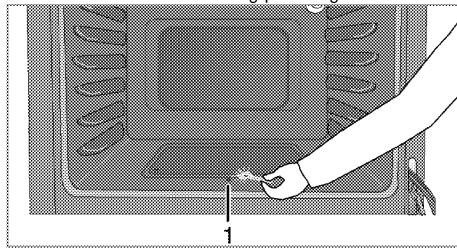


The gas oven is operated by the gas oven control knob. In off position (top) the gas supply is Off.

#### Switch on the gas oven

The gas oven is ignited with a gas lighter.

1. Open oven door.
2. Keep gas oven control knob pressed and turn it **counterclockwise**.
3. Ignite the gas with the gas lighter from the ignition control hole.
4. Keep the burner control pressed for 3 to 5 seconds.
  - » Be sure that gas has ignited and flame is present.
5. Keep the burner control pressed for another 3 to 5 seconds.
6. Select the desired baking power/ gas mark.



1 Ignition control hole



#### DANGER:

There is the risk of gas compression and explosion!  
Do not attempt to ignite the gas more than 15 seconds. If the burner is not ignited within 15 seconds, turn off the knob and wait for 1 minute. Ventilate the room before reattempting to ignite the burner. There is the risk of gas compression and explosion!

#### Switch off the gas oven

1. Turn gas oven control knob to off position (top).  
Gas level temperature chart

Gas level	1	2	3
°C			

## Cooking times table



1st rack of the oven is the **bottom** rack.



Maximum load capacity of oven tray: 4 kg (8.8 lb).



The timings in this chart are meant as a guide. Timings may vary due to temperature of food, thickness, type and your own preference of cooking.

Stand dishes on a baking sheet to prevent spillages onto oven base and help keep oven clean.

## Baking and roasting

Food	Preheating *	Insertion level	Control knob position	Cooking time
Apple pie	10 min.	4..5	1	25..30 min.
Fruit tart	10 min.	4..5	1	25..35 min.
Pie	10 min.	3..4	1	30..40 min.
Cookies	10 min.	4..5	1	25..35 min.
Pastry	10 min.	5	1	35..45 min.
Cake	10 min.	3	1	30..40 min.
Biscuits	–	4..5	1	20..30 min.
Roast lamb	10 min.	4..5	1	35..45 min. per 450 g + 30 min.
Roast Beef	10 min.	2	1	50..60 min. per 450 g + 30 min.
Turkey	10 min.	3..4	1	50..60 min. per 450 g + 30 min.
Poultry	10 min.	3..4	1	30..40 min. per 450 g + 25 min.
Casseroles	–	4	1	90..120 min. <sup>s</sup>
Fish	10 min.	3	1	35..45 min.
Macaroni	10 min.	3..4	1	35..40 min.
Small cakes	10 min.	4	1	30..35 min.
Victoria sandwich	10 min.	3	1	22..28 min.

\* at control knob position 2 / <sup>s</sup> depending on quantity / # depending on size

## 7 Maintenance and care

### General information

Service life of the product will extend and the possibility of problems will decrease if the product is cleaned at regular intervals.

**DANGER:**

Disconnect the product from mains supply before starting maintenance and cleaning works.

There is the risk of electric shock!

**DANGER:**

Allow the product to cool down before you clean it.

Hot surfaces may cause burns!

- Clean the product thoroughly after each use. In this way it will be possible to remove cooking residues more easily, thus avoiding these from burning the next time the appliance is used.
- No special cleaning agents are required for cleaning the product. Use warm water with washing liquid, a soft cloth or sponge to clean the product and wipe it with a dry cloth.
- Always ensure any excess liquid is thoroughly wiped off after cleaning and any spillage is immediately wiped dry.
- Do not use cleaning agents that contain acid or chloride to clean the stainless or inox surfaces and the handle. Use a soft cloth with a liquid detergent (not abrasive) to wipe those parts clean, paying attention to sweep in one direction.



The surface might get damaged by some detergents or cleaning materials.

Do not use aggressive detergents, cleaning powders/creams or any sharp objects during cleaning.

Do not use harsh abrasive cleaners or sharp metal scrapers to clean the oven door glass since they can scratch the surface, which may result in shattering of the glass.



Do not use steam cleaners to clean the appliance as this may cause an electric shock.

### Cleaning the hob

#### Gas hobs

1. Remove and clean the saucepan carriers and burner caps.
2. Clean the hob.

3. Install the burner caps and make sure that they are seated correctly.
4. When installing the upper grills, pay attention to place the saucepan carriers so that the burners are centered.

### Cleaning the control panel

Clean the control panel and knobs with a damp cloth and wipe them dry.



Do not remove the control buttons/knobs to clean the control panel.

Control panel may get damaged!

### Cleaning the oven

#### Clean oven door

To clean the oven door, use warm water with washing liquid, a soft cloth or sponge to clean the product and wipe it with a dry cloth.

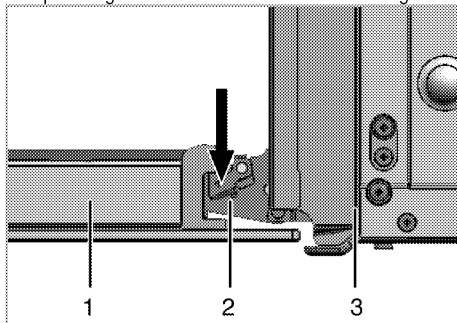


Don't use any harsh abrasive cleaners or sharp metal scrapers for cleaning the oven door.

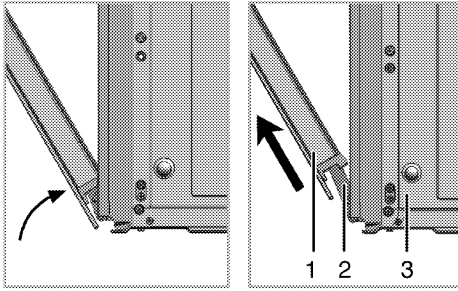
They could scratch the surface and destroy the glass.

### Removing the oven door

1. Open the front door (1).
2. Open the clips at the hinge housing (2) on the right and left hand sides of the front door by pressing them down as illustrated in the figure.



- 1 Front door
- 2 Hinge
- 3 Oven



3. Move the front door to half-way.
4. Remove the front door by pulling it upwards to release it from the right and left hinges.

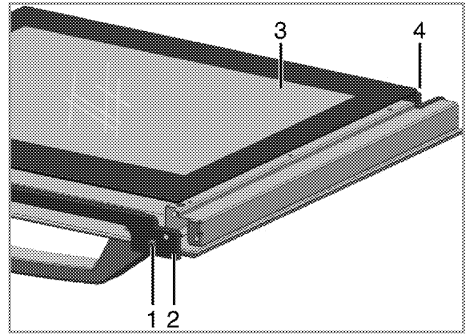


Steps carried out during removing process should be performed in reverse order to install the door. Do not forget to close the clips at the hinge housing when reinstalling the door.

### Removing the door inner glass

The inner glass panel of the oven door can be removed for cleaning.

1. Open the oven door.



- 1 Screw
  - 2 Profile
  - 3 Inner glass pane
  - 4 Plastic slot
2. Take out the screw(1) with a screwdriver
  3. Take out the profile (2) than hold up to inner glass (3).
  4. Then group the door again, put the glass pane (3) to the plastic slots (4) and group the profile.

## 8 Troubleshooting

### **Oven emits steam when it is in use.**

- It is normal that steam escapes during operation. >>> *This is not a fault.*

### **Product emits metal noises while heating and cooling.**

- When the metal parts are heated, they may expand and cause noise. >>> *This is not a fault.*

### **There is no ignition spark.**

- No current. >>> *Check fuses in the fuse box.*

### **There is no gas.**

- Main gas valve is closed. >>> *Open gas valve.*
- Gas pipe is bent. >>> *Install gas pipe properly.*

### **Burners are not burning properly or at all.**

- Burners are dirty. >>> *Clean burner components.*
- Burners are wet. >>> *Dry the burner components.*
- Burner cap is not mounted safely. >>> *Mount the burner cap properly.*
- Gas valve is closed. >>> *Open gas valve.*
- Gas cylinder is empty (when using LPG). >>> *Replace gas cylinder.*



Consult the Authorised Service Agent or technician with licence or the dealer where you have purchased the product if you can not remedy the trouble although you have implemented the instructions in this section. Never attempt to repair a defective product yourself.

## Перед началом эксплуатации прочитайте это руководство пользователя!

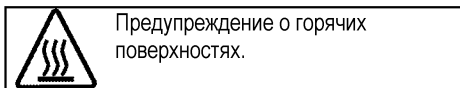
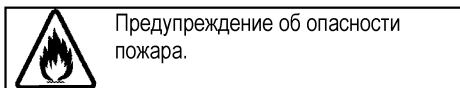
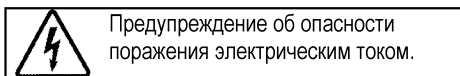
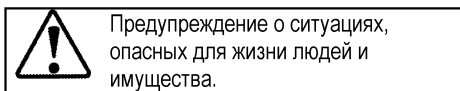
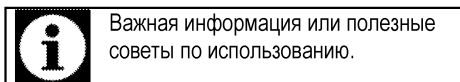
Уважаемый покупатель!

Спасибо за то, что отдали предпочтение продукции компании «Веко». Надеемся, что это высококачественное изделие, изготовленное с применением самых современных технологий, будет демонстрировать наилучшие результаты эксплуатации. Для этого перед началом эксплуатации внимательно прочитайте это руководство и всю сопутствующую документацию и используйте его в дальнейшем в качестве справочника. Если вы передаете изделие новому владельцу, передайте ему и руководство пользователя. Придерживайтесь всех предупреждений и информации, содержащихся в руководстве.

Помните, что данное руководство пользователя также может быть применимо к некоторым другим моделям. Различия между моделями будут указаны в руководстве.

### Пояснения к символам

В данном руководстве пользователя используются следующие символы:



Производитель: компания Арчелик (Arcelik A.S.)  
Юридический адрес: Караач Джаддеси № 2-6 34445  
Сюглюдже/Стамбул/Турция



Произведено в Турции



## **1 Важные инструкции и предупреждения по технике безопасности и охране окружающей среды** **4**

Общие правила техники безопасности .....	4
Правила техники безопасности при работе с газовым оборудованием .....	4
Безопасность изделия .....	6
Использование по назначению .....	8
Безопасность детей .....	8
Утилизация старого изделия .....	9
Утилизация упаковочных материалов .....	9
Для будущей транспортировки .....	9

## **2 Общие сведения** **10**

Обзор .....	10
Содержание упаковки .....	11
Технические характеристики .....	11
Характеристики горелок .....	12

## **3 Установка** **13**

До начала установки .....	13
Установка и подключение .....	14
Переход на другой вид газа .....	15

## **4 Подготовка к эксплуатации** **18**

Рекомендации по экономии электроэнергии ....	18
Подготовка к эксплуатации .....	18
Очистка прибора перед началом эксплуатации	18
Первоначальный прогрев .....	18

## **5 Правила эксплуатации варочной панели** **19**

Общие сведения о приготовлении пищи .....	19
Эксплуатация варочных панелей .....	19

## **6 Правила эксплуатации духовки** **21**

Общие сведения о выпекании, жарении .....	21
Правила эксплуатации газовой духовки .....	21
Время приготовления блюд .....	22

## **7 Уход и техническое обслуживание** **23**

Общие сведения .....	23
Чистка варочной панели .....	23
Чистка панели управления .....	23
Чистка духовки .....	23
Снятие дверцы духового шкафа .....	23
Снятие внутреннего стекла дверцы .....	24

## **8 Поиск и устранение неисправностей** **25**

## **1 Важные инструкции и предупреждения по технике безопасности и охране окружающей среды**

В данном разделе содержатся инструкции по технике безопасности, которые помогут вам избежать травм и повреждений. При несоблюдении этих правил все гарантийные обязательства аннулируются.

Общие правила техники безопасности

- Это изделие может эксплуатироваться детьми старше 8 лет и людьми с ограниченными физическими, сенсорными или умственными способностями, а также лицами, не имеющими достаточного опыта и знаний, только в том случае, если они находятся под наблюдением лиц, ответственных за их безопасность, или проинструктированы на предмет безопасного использования изделия и осознают связанные с этим риски.

Следите за тем, чтобы дети не играли с устройством. Дети могут чистить и обслуживать устройство только под наблюдением.

- Не устанавливайте устройство на ковровом покрытии.

Недостаточная вентиляция под днищем устройства может привести к перегреву электрических деталей и проблемам в работе изделия.

- Работы по установке и ремонту должны выполняться только представителями авторизованной сервисной службы. Производитель не несет ответственности за повреждения в результате выполнения работ лицами, не имеющими соответствующей квалификации. Это также может привести к аннулированию гарантии. Перед установкой внимательно прочтите инструкции.
- Не пользуйтесь неисправным изделием, а также при наличии на нем заметных повреждений.
- Проверяйте, чтобы после каждого использования переключатели функций изделия были выключены.

Правила техники безопасности при работе с газовым оборудованием

- Все работы с газовыми приборами и системами должны выполняться только

квалифицированные специалисты, имеющие право на выполнение таких работ.

- Перед установкой проверьте, соответствуют ли параметры местной распределительной сети (давление и тип газа) настройкам прибора.
- Это устройство не подсоединяется к устройству для удаления продуктов горения. Это устройство не подсоединяется к устройству для удаления продуктов горения. Установка и подключение прибора должны выполняться в соответствии с действующими нормами и правилами. Особое внимание следует уделить требованиям к вентиляции (см. раздел *До начала установки, стр. 13*).
- Во время эксплуатации газовой плиты она выделяет тепло, влагу и продукты сгорания в помещении, в котором установлена. Убедитесь, что кухня хорошо проветривается, в особенности во время использования прибора: держите открытыми отверстия, через которые осуществляется естественная вентиляция, или установите прибор для искусственной вентиляции (механическую надплитную вытяжку). Длительное интенсивное использование прибора может требовать дополнительной вентиляции, например, увеличения уровня мощности механической вытяжки, если она имеется.
- Необходимо регулярно проверять исправность газовых приборов и систем. Регулятор, шланг и его хомут следует проверять регулярно и заменять в сроки, рекомендованные производителем, или по мере необходимости.
- Регулярно очищайте газовые горелки. Горелка должна гореть ровным голубым пламенем.
- В газовых приборах необходимо обеспечить полное сжигание газа, так как при неполном сгорании газа выделяется угарный газ (CO). Угарный газ (монооксид углерода) - это очень ядовитый бесцветный газ без запаха, который даже в очень малых дозах вызывает отравление и смерть.
- Узнайте у своего поставщика газа телефон местной аварийной службы газа, а также ознакомьтесь с мерами

предосторожности, которые необходимо предпринимать при обнаружении запаха газа.

Меры предосторожности при обнаружении запаха газа

- Не пользуйтесь открытым пламенем и не курите. Не пользуйтесь электрическими выключателями (например, выключателем освещения, дверным звонком и т.д.). Не пользуйтесь стационарными и мобильными телефонами. Остерегайтесь взрыва и отравления газом!
- Перекройте все краны газовых приборов и газовых счетчиков
- Откройте окна и двери.
- Проверьте все трубы и соединения на герметичность. Если запах газа не исчезает, покиньте помещение.
- Предупредите соседей.
- Вызовите пожарную команду. Звоните по телефонному аппарату, который находится за пределами дома.
- Не входите в помещение, пока вам не сообщат, что это безопасно.

Безопасность изделия

- Данное изделие и его внешние части нагреваются в процессе использования. Будьте осторожны, не касайтесь

нагревательных элементов. Детей младше 8 лет следует допускать к духовому шкафу только под постоянным присмотром взрослых.

- Не пользуйтесь прибором, находясь под воздействием алкоголя или лекарственных препаратов, снижающих скорость реакции или нарушающих координацию движений.
- Будьте осторожны при использовании спиртных напитков в приготавливаемых блюдах. При высокой температуре спирт испаряется и при соприкосновении с горячими поверхностями может загореться и вызвать пожар.
- Не располагайте рядом с прибором легковоспламеняющиеся материалы, так как во время работы его боковые поверхности могут сильно нагреваться.
- Во время работы устройство может нагреваться. Будьте осторожны, не касайтесь нагревательных элементов внутри духового шкафа.
- Следите за тем, чтобы вентиляционные отверстия были полностью открыты.

- Не разогревайте в духовом шкафу продукты в закрытых жестяных или стеклянных банках. Внутри банок может повыситься давление, что приведет к взрыву.
- Не ставьте противни или посуду непосредственно на дно духового шкафа, а также не кладите на него алюминиевую фольгу. Избыточное тепло может привести к повреждению дна духового шкафа.
- Не используйте для чистки стеклянной дверцы духового шкафа грубые абразивные чистящие средства или острые металлические скребки, чтобы не поцарапать поверхность, поскольку это может привести к разрушению стекла.
- Не используйте для чистки устройства пароочистители, поскольку это может привести к поражению электрическим током.
- Правильное расположение проволочной решетки и противня на направляющих  
Проволочную решетку и/или противень следует правильно устанавливать на направляющие. Вставьте проволочную решетку или противень между 2 направляющими и проверьте, устойчиво ли держится решетка или противень (см. рисунок). Только после этого можно класть на них продукты.
- Не пользуйтесь духовым шкафом, если стекло в передней дверце потрескалось или вынуто.
- Помещая продукты в горячий духовой шкаф или вынимая их оттуда, обязательно пользуйтесь термостойкими перчатками.
- Положите бумагу для выстилания пекарных форм в горшок для варки или на противень, решетку и т.д. вместе с приготавливаемыми пищевыми продуктами, и поместите все в предварительно нагретую печь. Удалите излишки бумаги, выступающие за пределы противня или горшка, чтобы они не смогли соприкоснуться с нагревательными элементами. Не используйте бумагу для выстилания пекарных форм, рабочая температура которой ниже температуры в печи. Не кладите бумагу непосредственно на основание печи.
- Не закрывайте верхнюю крышку, пока электрические

или газовые конфорки не остынут.

Перед открыванием вытирайте верхнюю крышку насухо, чтобы влага не попала на заднюю стенку и внутрь духового шкафа.

- При приготовлении пищи с жиром или маслом не оставляйте варочную панель без присмотра, поскольку это может привести к возгоранию. Категорически ЗАПРЕЩАЕТСЯ гасить такое пламя водой; следует выключить устройство и накрыть огонь, например, крышкой или противопожарным покрытием.
- Опасность пожара: не храните предметы на конфорках.

Для обеспечения пожарной безопасности изделия соблюдайте нижеуказанные правила.

- Убедитесь, что вилка плотно вставлена в розетку и не искрит.
- Запрещается использовать поврежденный либо обрезанный кабель, а также удлинитель; можно пользоваться только оригинальным кабелем.
- Убедитесь, что в розетке, к которой подключается изделие,

отсутствуют жидкость или влага.

- Убедитесь, что подключение газа выполнено таким образом, чтобы исключить утечку газа.

Использование по назначению

- Данное изделие предназначено исключительно для бытового использования. Запрещается использовать прибор в коммерческих целях.
- Данное изделие предназначено исключительно для приготовления пищи. Его запрещено использовать для других целей, например, для обогрева помещения."
- Производитель не несет ответственности за повреждения в результате использования изделия не по назначению или неправильного обращения с ним.
- Духовой шкаф можно использовать для размораживания, выпекания, жарения и приготовления продуктов на гриле.

Безопасность детей

- Доступные части прибора могут сильно нагреваться при использовании. Не допускайте к ним детей.

- Упаковочные материалы опасны для детей. Храните упаковочные материалы в недоступном для детей месте. Утилизируйте все упаковочные материалы в соответствии с нормами по охране окружающей среды.
- Электрическое и/или газовое оборудование представляют опасность для детей. Во время работы духового шкафа не допускайте к нему детей, а также не разрешайте им играть с ним.
- Доступны дополнительные защитные средства для предотвращения контакта с дверцей духовки. Этот компонент следует установить, если маленькие дети могут находиться в помещении.
- Не размещайте над прибором предметы, которые дети могут попытаться достать.
- Не ставьте на открытую дверцу тяжелые предметы и не позволяйте детям садиться на нее, Духовой шкаф может перевернуться, а также могут

быть повреждены петли дверцы.

#### Утилизация старого изделия

#### Утилизация упаковочных материалов

- Упаковочные материалы опасны для детей. Храните упаковочные материалы в безопасном и недоступном для детей месте. Упаковочные материалы изделия изготовлены из материалов, подлежащих вторичной переработке. Утилизируйте их соответствующим образом и сортируйте согласно инструкции по обращению с отходами, подлежащими вторичной переработке. Не утилизируйте их вместе с обычными бытовыми отходами.

#### Для будущей транспортировки

- Сохраните оригинальную упаковочную коробку и перевозите прибор в ней. Следуйте указаниям, нанесенным на упаковке. Если оригинальная упаковочная коробка не сохранилась, заверните изделие в пузырчатую упаковку или поместите в плотный картон. Надежно заклейте клейкой лентой.
- Чтобы проволочная решетка и противень, которые хранятся внутри духовки, не повредили дверцу, поместите с внутренней стороны дверцы картонную полоску вровень с противнями. Прикрепите дверцу духового шкафа к боковым стенкам клейкой лентой.
- Закрепите накладки горелок и подставки для посуды клейкой лентой.
- Не поднимайте и не передвигайте духовой шкаф, держась за дверцу или за ручку дверцы.



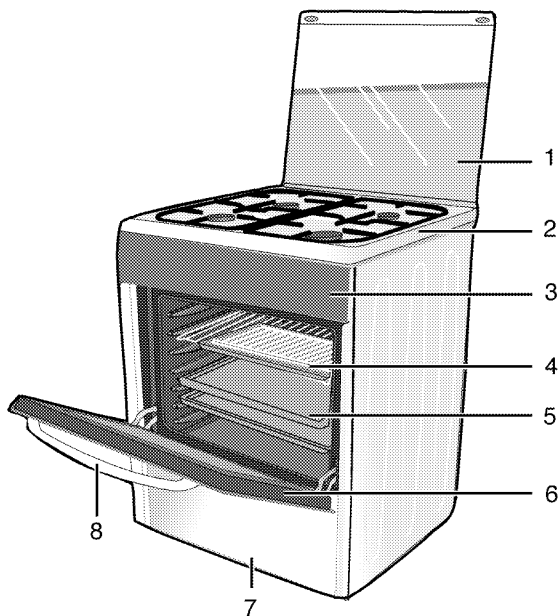
Не размещайте на приборе никаких предметов и не ставьте его вертикально.



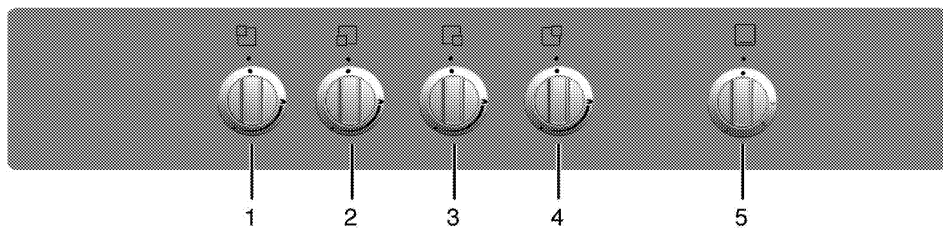
Осмотрите прибор снаружи на предмет возможных повреждений при транспортировке.

## 2 Общие сведения

### Обзор



- |   |                     |   |                 |
|---|---------------------|---|-----------------|
| 1 | Верхняя крышка      | 5 | Противень       |
| 2 | Крышка конфорки     | 6 | Передняя дверца |
| 3 | Панель управления   | 7 | Нижняя часть    |
| 4 | Проволочная решетка | 8 | Ручка дверцы    |



- |   |   |
|---|---|
| 1 | Нормальная конфорка Задняя левая          |
| 2 | Дополнительная конфорка Передняя левая    |
| 3 | Конфорка быстрого нагрева Передняя правая |
| 4 | Нормальная конфорка Задняя правая         |
| 5 | Ручка духового шкафа                      |



## Содержание упаковки

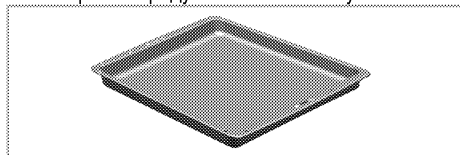


Изделие комплектуется различным набором дополнительных принадлежностей в зависимости от модели. Некоторые дополнительные принадлежности, описанные в руководстве пользователя, в комплекте этого изделия могут отсутствовать.

### 1. Руководство пользователя

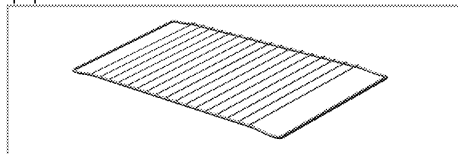
### 2. Противень

Предназначен для выпечки изделий из теста, размораживания замороженных продуктов и жарения продуктов большими кусками.



### 3. Проволочная решетка

Предназначена для жарения, а также для размещения продуктов на нужной полке при выпечке, жарении или приготовлении в формах.



## Технические характеристики

### ОБЩИЕ СВЕДЕНИЯ

Габариты (высота / ширина / глубина)	850 мм/500 мм/500 мм
Категория газового прибора	II 2H3B/P
Тип газа/давление	NG G 20/20 мбар
Общий расход газа	9.5 кВт
Переход на тип газа/давление <sup>§</sup>	LPG G 30/30 мбар
– дополнительно	

### ВАРОЧНАЯ ПАНЕЛЬ

#### Конфорки

Задняя левая	<b>Нормальная конфорка</b>
Мощность	2.0 кВт
Передняя левая	<b>Дополнительная конфорка</b>
Мощность	1.0 кВт
Передняя правая	<b>Конфорка быстрого нагрева</b>
Мощность	2.5 кВт
Задняя правая	<b>Нормальная конфорка</b>
Мощность	2.0 кВт

### ДУХОВКА

<b>Главный духовой шкаф</b>	<b>Газовая духовка</b>
Духовка: расход газа	2.0 кВт



При усовершенствовании качества продукции технические характеристики могут быть изменены без предварительного уведомления.



Иллюстрации в данном руководстве являются схематичными и могут несколько отличаться от конкретного изделия.



Значения, указанные на этикетках изделия или в сопроводительной документации, получены в лабораторных условиях согласно соответствующим стандартам. Эти данные могут быть иными в зависимости от условий эксплуатации изделия.

## Характеристики горелок

Расположение конфорки	2.0 кВт	1.0 кВт	2.5 кВт	2.0 кВт
	Задняя левая	Передняя левая	Передняя правая	Задняя правая
Тип газа / давление				
G 20/20 мбар	103	72	125	103
G 30/28-30 мбар	72	50	80	72
Тип газа / давление		Газовая духовка		
G 20/20 мбар		105		
G 30/28-30 мбар		71		

### 3 Установка

Прибор должен устанавливаться квалифицированным специалистом в соответствии с действующими нормами и правилами. В противном случае гарантия аннулируется. Производитель не несет ответственности за повреждения в результате выполнения работ лицами, не имеющими соответствующей квалификации. Это может привести к аннулированию гарантии.

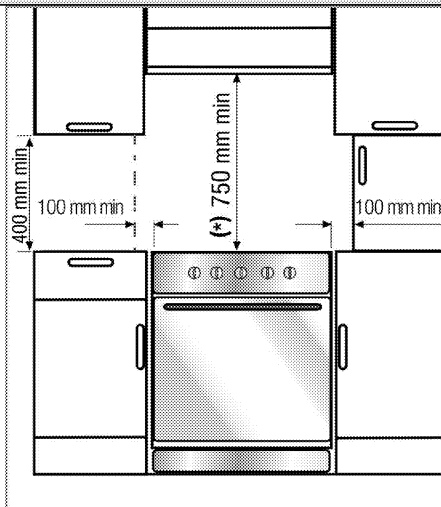
**i** Подготовка места установки, электрического и газового оборудования обеспечивается покупателем.

**!** ОПАСНО:  
Бытовой прибор следует устанавливать в соответствии со всеми местными нормами по подключению газового и/или электрического оборудования.

**!** ОПАСНО:  
Прежде чем приступить к установке, визуально проверьте отсутствие внешних дефектов духового шкафа. При наличии дефектов не устанавливайте его. Поврежденные электроприборы представляют собой угрозу вашей безопасности.

#### До начала установки

Для того чтобы обеспечить наличие необходимых зазоров для циркуляции воздуха под плитой, рекомендуем устанавливать ее на твердом основании так, чтобы ножки не погружались в ковер или мягкое напольное покрытие. Кухонный пол должен выдерживать вес прибора с учетом веса посуды и продуктов.



- Ее можно использовать с кухонными шкафами с обеих сторон, однако следует оставить свободное пространство минимум 400 мм над уровнем конфорок, а также боковое свободное пространство не менее 100 мм между плитой и стеной, перегородкой или высоким кухонным шкафом.
- Плита может также стоять отдельно. Обеспечьте свободное расстояние не менее 750 мм от поверхности плиты до поверхностей над ней.
- В случае установки надплитного воздухоочистителя соблюдайте инструкции его производителя в отношении высоты монтажа устройства (мин. 650 мм).
- Это устройство соответствует требованиям к приборам класса 1, и его можно устанавливать так, чтобы задняя и **одна** из боковых стенок примыкали к стенам помещения, стенкам кухонных шкафчиков или бытовых приборов любой высоты. Кухонная мебель или бытовые приборы, примыкающие с **другой** стороны, должны быть не выше прибора.
- Вся кухонная мебель, рядом с которой устанавливается устройство, должна быть термостойкой (не менее 100 °C).

## Вентиляция помещения

В помещении должно быть открывающееся окно, а в некоторых помещениях необходимо также наличие постоянной вентиляции.

Забор воздуха для процесса горения производится в помещении, и уходящие газы выделяются непосредственно в помещение. Поэтому для безопасной эксплуатации устройства необходимо обеспечить хорошую вентиляцию помещения. Если в помещении нет окна или двери, пригодных для вентиляции, необходимо установить дополнительные средства вентиляции.

Устройство может устанавливаться в кухне, в кухне-столовой или в жилой комнате, но не в помещении с ванной или душем. Плиту запрещается устанавливать в жилой комнате площадью менее 20 м<sup>2</sup>.<sup>3</sup>

Не устанавливайте плиту в помещении, находящемся ниже уровня поверхности, если оно не выходит на уровень поверхности хотя бы одной стороной.

Размер помещения	Вентиляционный проем
менее 5 м <sup>3</sup>	не менее 100 см <sup>2</sup>
5 м <sup>3</sup> до 10 м <sup>3</sup>	не менее 50 см <sup>2</sup>
более 10 м <sup>3</sup> /ден	не требуется
В подвальном помещении	не менее 65 см <sup>2</sup>

## Установка и подключение

Прибор следует устанавливать и подключать в соответствии с действующими нормами и правилами.



Не устанавливайте изделие рядом с холодильником или морозильной камерой. Поскольку духовой шкаф излучает тепло, холодильники будут потреблять больше электроэнергии.

- Переносить прибор должны не менее двух человек.
- Прибор следует устанавливать прямо на пол. Не устанавливайте прибор на подставку.



Не перемещайте устройство, держась за дверцу и/или за ручку дверцы. Дверца, ручка или петли могут повредиться.

## Подключение газа



**ОПАСНО:**

Подключение прибора к электрической сети должен выполнять квалифицированный специалист, имеющий право на выполнение таких работ. Непрофессиональный ремонт может привести к взрыву или отравлению газом! Производитель не несет ответственности за повреждения в результате выполнения работ лицами, не имеющими соответствующей квалификации.



**ОПАСНО:**

Перед выполнением каких-либо работ по монтажу газовых приборов перекройте подачу газа. Это может привести к взрыву!

- Тип и давление газа, на которые отрегулирован прибор, указаны на паспортной таблице или маркировке.



На ваше изделие может подаваться природный газ (NG).

- Перед установкой прибора необходимо подготовить подвод природного газа.
- К выпускному отверстию источника газа должна быть присоединена гибкая подводка для подвода газа к прибору, закрытая заглушкой. При установке прибора представитель службы газа вынет заглушку и присоединит прибор к газовой сети с помощью муфты.
- Газовый вентиль должен находиться в легкодоступном месте.
- Если впоследствии возникнет необходимость перевести прибор на другой вид газа, обратитесь в фирменный сервисный центр для получения консультации о том, как выполнить такой переход.



**ОПАСНО:**

Газовый шланг не должен быть сдавлен, изогнут или зажат, а также не должен соприкасаться с нагревающимися компонентами изделия. Поврежденный газовый шланг может привести к взрыву.

- Придвиньте прибор к стене кухни.
- **Регулирование ножек духовки**

При наличии вибрации посуда во время приготовления может сдвигаться. Для предотвращения опасных ситуаций необходимо, чтобы прибор стоял ровно и устойчиво.

В целях безопасности, выровняйте прибор с помощью 4 регулируемых ножек ножки. Для этого поворачивайте их влево и вправо до тех пор, пока прибор не будет ровно стоять на столешнице.

### Окончательная проверка

1. Откройте подачу газа.
2. Проверьте места подключения газа на надежность закрепления и герметичность.
3. Зажгите горелки и проверьте внешний вид пламени.



Пламя должно быть голубым и иметь обычную форму. Если пламя имеет желтоватый оттенок, проверьте положение накладки горелки или прочистите горелку.

### Переход на другой вид газа



#### ОПАСНО:

Перед выполнением каких-либо работ по монтажу газовых приборов перекройте подачу газа.

Это может привести к взрыву!

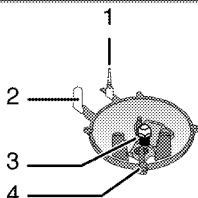
Для перехода на другой вид газа необходимо заменить все форсунки прибора и отрегулировать все краны для уменьшения подачи газа.

### Замена форсунок в горелках

1. Снимите накладку горелки и выньте корпус горелки.
2. Вывинтите форсунки, поворачивая против часовой стрелки.
3. Вставьте новые форсунки.
4. Проверьте соединения на надежность закрепления и герметичность.



Расположение новых форсунок указано на упаковке или в таблице на *Характеристики горелок, стр. 12*.



- 1 Устройство газ-контроля (в зависимости от модели)

- 2 Свеча зажигания
- 3 Форсунка
- 4 Горелка



Не снимайте газовые краны горелок без особой необходимости. В случае необходимости замены кранов обращайтесь только в фирменный сервисный центр.

### Регулировка газовых кранов для уменьшения подачи газа

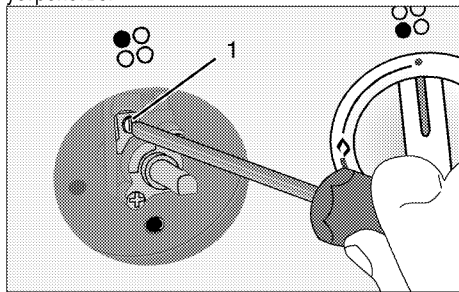
1. Зажгите горелку, которую нужно отрегулировать, и установите ручку регулятора в положение минимального пламени.
2. Снимите ручку регулятора с газового крана.
3. К винту регулировки подачи газа применяйте отвертку соответствующего размера.

Для сжиженного нефтяного газа (бутан-пропан) следует повернуть винт по часовой стрелке. Для природного газа следует повернуть винт на один оборот **против часовой стрелки**.

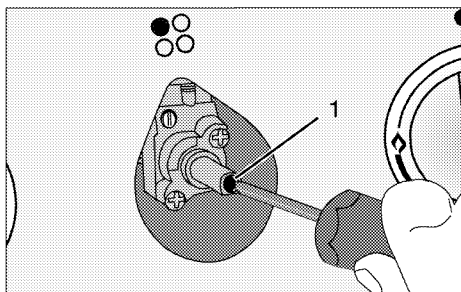
» Нормальная высота прямого пламени при установке регулятора в положение минимального пламени должна составлять 6-7 мм.

4. Если пламя выше, чем нужно, поверните винт по часовой стрелке, если ниже – поверните в противоположную сторону.
5. В качестве заключительной проверки установите регулятор конфорки в положение максимального и минимального пламени и проверьте воспламенение и выключение огня.

Положение винта регулировки подачи зависит от типа газового вентиля, используемого в устройстве.



- 1 Винт регулировки подачи газа

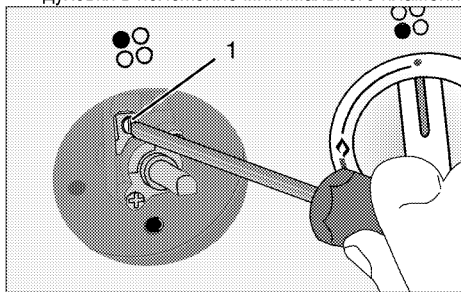


1 Винт регулировки подачи газа

### Регулировка для уменьшения подачи газа к духовке

Для надлежащей работы духовки очень важно проверить регулировку подачи газа. Чтобы обеспечить безопасную эксплуатацию устройства, будьте предельно внимательны при выполнении этих действий.

1. Зажгите горелку, которую нужно отрегулировать, и установите ручку регулятора в положение максимального пламени.
2. Закройте дверцу духовки и подождите 10-15 минут, пока духовка будет готова к регулировке.
3. Снимите ручку регулятора.
4. Через 15 минут установите регулятор горелки духовки в положение минимального пламени.



5. Отрегулируйте высоту пламени горелки духовки до 2-3 мм с помощью винта 1 на газовом кране духовки. Чтобы увеличить пламя, поверните винт по часовой стрелке, чтобы уменьшить – против часовой стрелки.



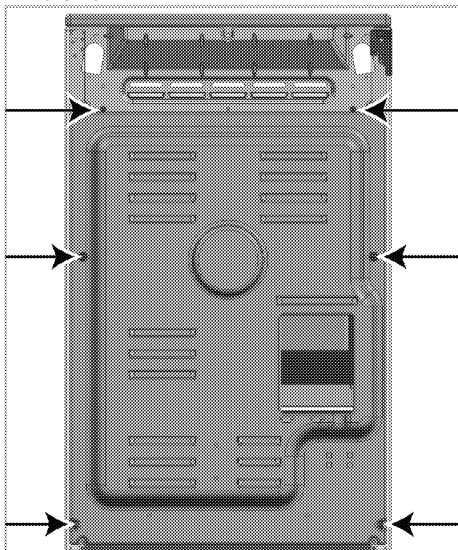
Если после снятия ручки не удается выполнить регулировку подачи газа духовки, снимите панель управления, а затем уже выполните регулировку подачи газа.



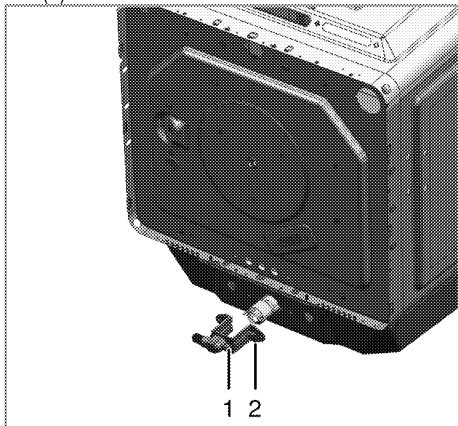
Если температура в духовке повысится слишком сильно, выключите духовку и обратитесь в фирменный сервисный центр, чтобы отремонтировать термостат.

### Замена форсунки в духовке

1. Отвинтите винты, которыми крепится задняя стенка.



2. Отвинтите два винта (2) держателя форсунки (1).

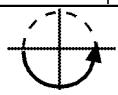


- 1 Держатель форсунки
- 2 Винт
3. Извлеките держатель форсунки.
4. Вывинтите форсунку, поворачивая против часовой стрелки.
5. Вставьте новую форсунку.



При замене типа газа необходимо также заменить и паспортную табличку прибора, содержащую информацию о потребляемом газе.

<b>Пропан/бутан</b>	<b>Природный газ</b>
Затяните винт, закручивая его по часовой стрелке до упора.	Ослабьте винт на пол-оборота
	



## 4 Подготовка к эксплуатации

### Рекомендации по экономии электроэнергии

Эти рекомендации помогут вам использовать изделие экологически чистым способом и экономить электроэнергию.

- Используйте в духовом шкафу темную или эмалированную посуду: это позволит улучшить теплопередачу.
- Прогревайте духовой шкаф перед приготовлением пищи, если это рекомендуется в руководстве пользователя или в инструкциях по приготовлению продуктов.
- Во время приготовления пищи не открывайте дверцу духового шкафа слишком часто.
- По возможности старайтесь готовить в духовом шкафу несколько блюд одновременно. При приготовлении пищи на решетку можно устанавливать по две емкости с продуктами.
- Готовьте блюда одно за другим. Духовой шкаф уже будет прогрет.
- Размораживайте замороженные продукты перед приготовлением.
- Готовьте пищу в закрытой посуде. При приготовлении в открытой посуде энергопотребление может возрасти в 4 раза.
- Выбирайте конфорку соответственно размеру дна посуды. Обязательно выбирайте посуду соответственно объему приготавливаемого блюда. Чем больше объем посуды, тем выше энергопотребление.

### Подготовка к эксплуатации

#### Очистка прибора перед началом эксплуатации



Некоторые моющие средства и чистящие материалы могут повредить поверхность. Не используйте для чистки агрессивные моющие средства, чистящие порошки/кремы, а также острые предметы.

1. Снимите все упаковочные материалы.

2. Протрите поверхность прибора влажной тканью или губкой и вытрите насухо.

#### Первоначальный прогрев

Прогрейте прибор в течение 30 минут, а затем выключите. Это обеспечит выгорание и удаление производственных загрязнений и покрытий.



#### ПРЕДУПРЕЖДЕНИЕ!

Горячие поверхности могут причинить ожоги!

Во время работы прибор может сильно нагреваться. Не прикасайтесь к горячим конфоркам, внутренним частям духового шкафа, нагревательным элементам и т.п. Не разрешайте детям приближаться к нему.

Помещая продукты в горячий духовой шкаф или вынимая их оттуда, обязательно пользуйтесь термостойкими перчатками.

#### Газовая духовка

1. Выньте из духового шкафа все противни и решетку.
2. Закройте дверцу духового шкафа.
3. Включите газовую духовку на максимальную мощность (см. раздел *Правила эксплуатации газовой духовки, стр. 21*).
4. Дайте духовому шкафу поработать около 30 минут.
5. Затем выключите духовой шкаф (см. раздел *Правила эксплуатации газовой духовки, стр. 21*).



При первом включении в течение нескольких часов возможно выделение дыма и запаха. Это вполне нормально.

Убедитесь, что кухня хорошо проветривается, чтобы удалить дым и запах. Не вдыхайте выделяющиеся дым и запахи.



## 5 Правила эксплуатации варочной панели

### Общие сведения о приготовлении пищи



Не заполняйте кастрюлю растительным маслом более чем на одну треть. При нагревании масла не оставляйте варочную панель без присмотра. Остерегайтесь возгорания раскаленных масел. **Не тушите огонь водой!** При возгорании масла накройте посуду одеялом или влажной тканью. По возможности выключите варочную панель и позвоните в пожарную службу.

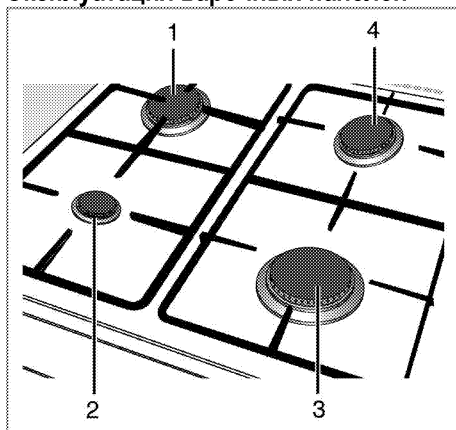
- Перед жареньем продукты нужно обязательно обсушивать. Опускайте продукты в горячий жир с осторожностью. Замороженные продукты перед жареньем следует полностью разморозить.
- Посуду, в которой разогревается жир, накрывать нельзя.
- Посуду следует ставить на плиту таким образом, чтобы ручки не нагревались над горячей поверхностью плиты. Не ставьте на плиту неустойчивую посуду, которая легко опрокидывается.
- Не ставьте на включенные конфорки пустую посуду – это может привести к ее повреждению.
- Не оставляйте включенными конфорки, на которых нет посуды – это может привести к повреждению плиты. Обязательно выключайте конфорки после окончания приготовления пищи.
- Не ставьте на плиту пластмассовую или алюминиевую посуду, так как на горячей поверхности они могут расплавиться. Такую посуду также не следует использовать для хранения пищевых продуктов.
- Можно использовать только посуду с плоским дном.
- Размер посуды должен соответствовать количеству продуктов. Тогда продукты не будут выплескиваться из посуды, и не придется лишний раз мыть плиту.

Не кладите на конфорки крышки кастрюль. Размещайте посуду по центру конфорки. Если нужно переместить посуду на другую конфорку, поднимите ее и переставьте. Ни в коем случае не передвигайте посуду по поверхности плиты.

### Приготовление пищи на газовой конфорке

- Диаметр пламени должен соответствовать размеру посуды. Пламя газовой конфорки следует регулировать таким образом, чтобы оно не выходило за пределы дна посуды. Посуду следует ставить по центру конфорки.

### Эксплуатация варочных панелей



- 1 Нормальная конфорка 18-20 см
- 2 Дополнительная конфорка 12-16см
- 3 Конфорка быстрого нагрева 20-22 см
- 4 Нормальная конфорка 18-20 см список рекомендованных диаметров посуды для использования на соответствующих конфорках.

Большой символ пламени соответствует максимальному уровню мощности, а маленький символ пламени – минимальному. В положении «выключено» (верхняя точка) подача газа к горелкам прекращается.

### Розжиг газовых горелок

Горелка не оснащена устройством автоматического розжига. Используйте зажигалку для газовой плиты или спички.

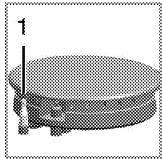
1. Прижмите регулятор горелки и
2. поверните его против часовой стрелки в сторону большого символа пламени.

3. Зажгите конфорку с помощью зажигалки для газовой плиты.
4. Установите нужный уровень мощности.

#### **Выключение газовых горелок**

Поверните регулятор зоны подогрева в положение «Выключено» (вверх).

#### **Система предотвращения утечки газа (в моделях с термопарой)**



1. Система предотвращения утечки газа

Горелки снабжены предохранительным механизмом, прекращающим подачу газа, если пламя внезапно погаснет, например, его зальет жидкость.

- Для розжига прижмите регулятор и поверните его против часовой стрелки.
- Чтобы включить систему защиты, после воспламенения газа удерживайте регулятор в нажатом положении еще 3-5 секунд.
- Если после нажатия и отпускания регулятора пламя погаснет, повторите те же действия, удерживая регулятор в нажатом положении в течение 15 секунд.



#### **ОПАСНО:**

Если в течение 15 секунд розжиг горелки не произошел, отпустите кнопку.

Повторите попытку не ранее, чем через 1 минуту. Существует риск накопления газа и взрыва!

## 6 Правила эксплуатации духовки

### Общие сведения о выпекании, жарении



#### ПРЕДУПРЕЖДЕНИЕ!

Горячие поверхности могут причинить ожоги!

Во время работы прибор может сильно нагреваться. Не прикасайтесь к горячим конфоркам, внутренним частям духового шкафа, нагревательным элементам и т.п. Не разрешайте детям приближаться к нему.

Помещая продукты в горячий духовой шкаф или вынимая их оттуда, обязательно пользуйтесь термостойкими рукавицами.



#### ОПАСНО:

Будьте осторожны, открывая дверцу духового шкафа, так как наружу может выходить пар.

Выпускаемый пар может обжечь вам руки, лицо и/или глаза.

### Советы по выпеканию

- Используйте антипригарные металлические тарелки или алюминиевые контейнеры с соответствующим покрытием, либо термостойкие силиконовые формы.
- Рационально используйте площадь решетки.
- Устанавливайте форму для выпекания в середине решетки.
- Выбирайте правильное положение решетки перед включением духового шкафа или гриля. Не изменяйте положение решетки, когда духовой шкаф горячий.
- Держите закрытой дверцу шкафа.

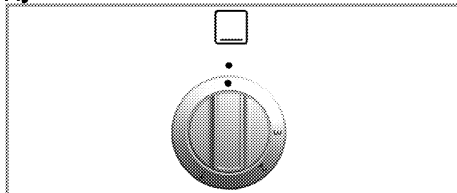
### Советы по приготовлению жареных блюд

- Тушку курицы или индейки и большие куски мяса перед приготовлением рекомендуется сбрызнуть лимонным соком и посыпать черным перцем. Тогда готовое блюдо будет вкуснее.
- Мясо с костями следует жарить на 15-30 минут дольше, чем такое же количества мяса без костей.
- На каждый сантиметр толщины мяса требуется приблизительно 4-5 минут времени приготовления.
- По истечении времени приготовления мяса оставьте его в духовом шкафу примерно на 10 минут. Сок лучше распределится внутри

куска жареного мяса и не будет вытекать, когда вы будете разрезать мясо.

- Рыбу в термостойкой посуде следует готовить на решетке, установленной на средний или нижний уровень.

### Правила эксплуатации газовой духовки

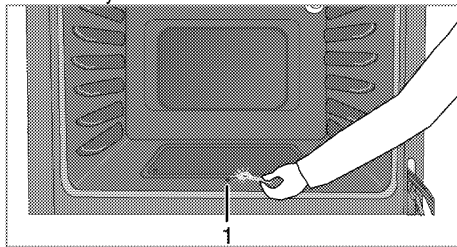


Для управления газовой духовкой используется ручка регулятора газовой горелки. При положении "Выключено" (вверх) подача газа прекращается.

#### Включение газовой духовки

Для розжига духовки используется зажигалка для газовой плиты.

1. Откройте дверцу духовки.
2. Прижмите ручку регулятора газовой горелки духовки и поверните ее **против часовой стрелки**.
3. Зажгите газ с помощью зажигалки для газовой плиты через контрольное отверстие.
4. Прижмите регулятор горелки и не отпускайте 3-5 секунд.
  - » Проверьте, появилось ли пламя.
5. Прижмите и не отпускайте ручку регулятора горелки в течение 3-5 секунд.
6. Выберите нужную мощность горелки, установив регулятор на соответствующую отметку.



- 1 Контрольное отверстие (для розжига)

**ОПАСНО:**

Существует риск сжатия газа и взрыва!  
 Не пытайтесь разжечь газ дольше 15 секунд. Если в течение 15 секунд розжиг горелки не произошел, выключите варочную панель и подождите 1 минуту. Проветрите помещение, прежде чем повторить попытку розжига горелки. Существует риск сжатия газа и взрыва!

**Время приготовления блюд**

1-й полкой духового шкафа является нижняя полка.



Максимальная нагрузка на противень – 4 кг.



Значения времени в этой таблице следует считать справочными. Они могут изменяться в зависимости от температуры продуктов, толщины, вида и ваших кулинарных предпочтений.

Чтобы брызги не попадали на под духовки и не пачкали духовку, ставьте блюдо на противень для выпечки.

**Выключение газовой духовки**

1. Поверните ручку регулятора горелки духовки в положение "Выключено" (вверх).

Температура нагрева при различных уровнях мощности газовых горелок:

Уровень мощност и газовой горелки	1	2	3
°С	/		

**Выпечка и жарение**

Продукты	Разогрев *	Уровень размещения	Положение ручки регулятора	Время приготовления
Яблочный пирог	10 мин.	4..5	1	25..30 мин.
Фруктовый торт	10 мин.	4..5	1	25..35 мин.
Пирог	10 мин.	3..4	1	30..40 мин.
Печенье	10 мин.	4..5	1	25..35 мин.
Выпечка	10 мин.	5	1	35..45 мин.
Торт	10 мин.	3	1	30..40 мин.
Сухое печенье	–	4..5	1	20..30 мин.
Жареная баранина	10 мин.	4..5	1	35..45 мин. на каждые 450 г + 30 мин.
Ростбиф	10 мин.	2	1	50..60 мин. на каждые 450 г + 30 мин.
Индейка	10 мин.	3..4	1	50..60 мин. на каждые 450 г + 30 мин.
Птица	10 мин.	3..4	1	30..40 мин. на каждые 450 г + 25 мин.
Запеканки	–	4	1	90..120 мин. §
Рыба	10 мин.	3	1	35..45 мин.
Макароны	10 мин.	3..4	1	35..40 мин.
Пирожные	10 мин.	4	1	30..35 мин.
Песочный торт «Сендвич»	10 мин.	3	1	22..28 мин.

\* при положении ручки регулятора 2 / § в зависимости от количества / # в зависимости от размера

## 7 Уход и техническое обслуживание

### Общие сведения

Регулярно выполняйте чистку прибора. Это позволит продлить срок его службы, а также избежать многих проблем.



**ОПАСНО:**  
Перед выполнением работ по обслуживанию и чистке отключите прибор от электрической сети. Существует риск поражения электрическим током!



**ОПАСНО:**  
Дайте изделию остыть, прежде чем приступать к чистке. Горячие поверхности могут причинить ожоги!

- Прибор следует тщательно чистить после каждого использования. Так легче удалять остатки пищи, которые могут пригореть при следующем использовании прибора.
- Для чистки прибора не требуются специальные чистящие средства. Прибор можно вымыть теплой водой с добавлением жидким моющего средства, используя мягкую ткань или губку. А затем протереть сухой тканью.
- Обязательно протирайте прибор насухо после чистки и сразу же удаляйте попавшую на него жидкость.
- Не используйте для чистки ручки и поверхностей из нержавеющей стали чистящие средства, содержащими кислоты или хлор. Эти детали можно протирать мягкой тканью, смоченной в жидком моющем средстве (без абразивных добавок), стараясь тереть в одном направлении.



Некоторые моющие средства и чистящие материалы могут повредить поверхность. Не используйте для чистки агрессивные моющие средства, чистящие порошки/кремы, а также острые предметы.



Не используйте для чистки устройства парочистители, поскольку это может привести к поражению электрическим током.

### Чистка варочной панели

#### Газовые варочные панели

1. Снимите и вымойте конфорки и накладки горелок.
2. Вымойте варочную панель.
3. Аккуратно установите накладки горелок на свои места.
4. При установке верхних решеток следите за тем, чтобы горелки находились точно по центру конфорок.

#### Чистка панели управления

Очистьте панель управления и ручки-регуляторы влажной тканью и вытрите насухо.



Для чистки панели управления снимайте кнопки/ручки-регуляторы. Так можно повредить панель управления!

#### Чистка духовки

##### Чистка дверцы духовки

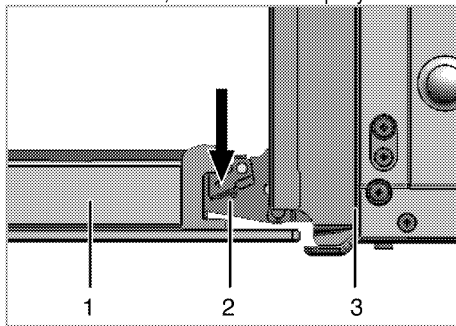
Мойте дверцу духовки мягкой тканью или губкой, смоченной в теплой воде с добавлением жидкого моющего средства, и вытирайте сухой тканью.



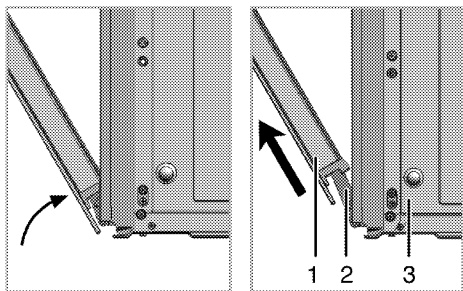
Не используйте для чистки дверцы моющие средства с абразивными веществами или металлическими скребки. Они могут поцарапать поверхность и повредить стекло.

#### Снятие дверцы духового шкафа

1. Откройте переднюю дверцу (1).
2. Откройте зажимы на корпусе петли (2) с правой и левой стороны передней дверцы, нажав на них, как показано на рисунке.



- 1 Передняя дверца
- 2 Петля
- 3 Духовой шкаф



3. Откройте переднюю дверцу наполовину.
4. Снимите переднюю дверцу, потянув ее вверх и освободив от правой и левой петли.

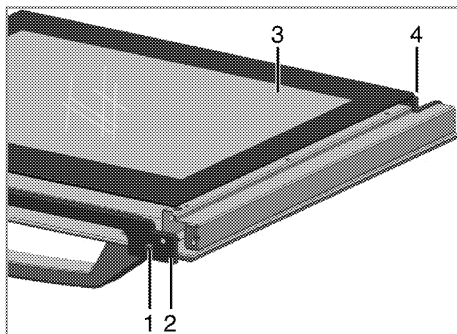


Для установки дверцы на место следует выполнить в обратном порядке действия по снятию. Не забудьте закрыть зажимы на корпусе петли при установке дверцы на место.

### Снятие внутреннего стекла дверцы

Внутреннее стекло панели дверцы духового шкафа можно снять для чистки.

1. Откройте дверцу духовки.



- 1 Винт
  - 2 Профиль
  - 3 Внутреннее стекло
  - 4 Пластмассовый держатель
2. Открутите отверткой винт (1)
  3. Выньте профиль (2), а затем внутреннее стекло (3).
  4. После чего соберите дверь, установив стекло (3) в пластмассовые держатели (4) и сгруппировав профиль.

## 8 Поиск и устранение неисправностей

**Во время работы из духового шкафа выделяется пар.**

- Вполне нормально, если пар выделяется во время работы. >>> *Это не является неисправностью.*

**При нагревании и охлаждении прибор издает металлические шумы.**

- При нагревании металлические детали могут расширяться и издавать звуки. >>> *Это не является неисправностью.*

**При розжиге не вспыхивает искра.**

- Нет тока. >>> *Проверьте предохранители в блоке предохранителей.*

**Газ не поступает.**

- Перекрыт общий газовый кран. >>> *Откройте газовый кран.*
- Перегиб газового шланга. >>> *Правильно расположите газовый шланг.*

**Горелки плохо горят или вообще не горят.**

- Горелки засорены. >>> *Очистите компоненты горелки.*
- Горелки влажные. >>> *Просушите компоненты горелки.*
- Накладка горелки плохо установлена. >>> *Правильно установите накладку горелки.*
- Перекрыт газовый кран. >>> *Откройте газовый кран.*
- Газовый баллон пуст (при использовании сжиженного газа). >>> *Замените газовый баллон.*



Если вы не можете устранить неполадки, несмотря на выполнение инструкций, приведенных в данном разделе, обратитесь к представителю авторизованной сервисной службы. Не пытайтесь самостоятельно отремонтировать неисправный электроприбор.

Lūdzu, vispirms izlasiet šo lietošanas rokasgrāmatu!

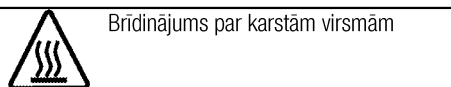
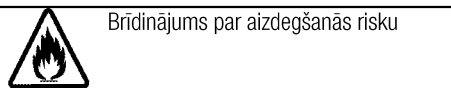
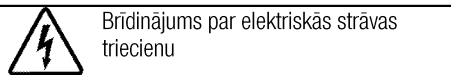
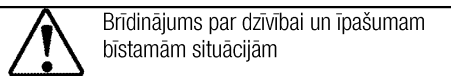
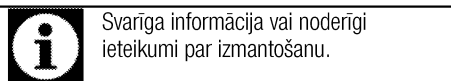
Cienījamais pircēj!

Paldies, ka izvēlējāties Beko produktu. Mēs ceram, ka šī iekārta, kas izgatavota ar augstu kvalitāti un modernu tehnoloģiju, jums nodrošinās vislabākos rezultātus. Tādēļ lūdzam pirms šīs iekārtas izmantošanas rūpīgi izlasīt visu lietošanas rokasgrāmatu un citus pievienotos dokumentus saglabāt tos atsaucēi arī nākotnē. Ja atdosiet šo iekārtu kādam citam, pievienojiet tai arī šo lietošanas rokasgrāmatu. Ņemiet vērā visus šajā lietošanas rokasgrāmatā dotos brīdinājumus un norādījumus.

Atcerieties, ka šī lietošanas rokasgrāmatā var attiekties arī uz vairākiem citiem modeļiem. Šajā rokasgrāmatā būs norādītas atšķirības starp modeļiem.

### **Simbolu paskaidrojums**

Šajā lietošanas rokasgrāmatā ir izmantoti tālāk norādītie simboli.



**Arçelik A.Ş.**  
Karaağaç caddesi No:2-6  
34445 Sütlüce/Istanbul/TURKEY  
Made in TURKEY



**1 Svarīgi norādījumi un brīdinājumi par drošību un vides aizsardzību 4**

Vispārējā drošība .....	4
Drošība gāzes izmantošanas laikā .....	4
Produkta drošība .....	5
Paredzētā lietošana .....	7
Bērnu drošība .....	7
Atbrīvošanās no vecās iekārtas .....	7
Atbrīvošanās no iepakojuma materiāla .....	7
Atbrīvošanās no vecās iekārtas .....	8

**2 Vispārīgā informācija 9**

Pārskats .....	9
Iepakojuma saturs .....	10
Tehniskā specifikācija .....	10
Inžektora tabula .....	11

**3 Uzstādīšana 12**

Pirms uzstādīšanas .....	12
Uzstādīšana un pievienošana .....	12
Gāzes konversija .....	13

**4 Sagatavošana 16**

Padomi par elektroenerģijas taupīšanu .....	16
Sākotnējā izmantošana .....	16
Iekārtas pirmā tīrīšanas reize .....	16

Sākotnējā sakarsēšana .....	16
-----------------------------	----

**5 Plīts virsmas izmantošana 17**

Vispārīga informācija par ēdiena gatavošanu .....	17
Plīts virsmu izmantošana .....	17

**6 Krāsns izmantošana 19**

Vispārīga informācija par cepšanu, apcepšanu .....	19
Gāzes krāsns izmantošana .....	19
Ēdiena gatavošanas laika tabula .....	20

**7 Apkope un tīrīšana 21**

Vispārīga informācija .....	21
Plīts virsmas tīrīšana .....	21
Vadības paneļa tīrīšana .....	21
Krāsns tīrīšana .....	21
Krāsns durvju izņemšana .....	21
Iekšējo stikla durvju izņemšana .....	22

**8 Traucējummeklēšana 23**

## 1 Svarīgi norādījumi un brīdinājumi par drošību un vides aizsardzību

Šajā sadaļā ir drošības noteikumi, kas palīdzēs izvairīties no traumas vai īpašuma bojājuma riska. Šo noteikumu neievērošana atcelts jebkuru garantiju.

### Vispārējā drošība

- Šo iekārtu var izmantot bērni vecumā no 8 gadiem un personas ar mazākām fiziskajām, garīgajām un uztveres spējām vai bez pieredzes un zināšanām, ja vien šīs personas netiek uzraudzītas vai nav saņēmušas norādījumus par iekārtas drošu izmantošanu un sapratušas saistītos riskus. Bērni nedrīkst spēlēties ar šo iekārtu. Tīrīšanu un apkopi nedrīkst veikt bērni, kuri netiek uzraudzīti.
- Nekādā gadījumā nelieciet mašīnu uz tepiķa. Tas var aizkavēt gaisa plūsmu zem iekārtas un izraisīt elektrisko daļu pārkaršanu. Tas izraisīs iekārtas darbības traucējumus.
- Uzstādīšanu un remontu vienmēr jāveic pilnvarotam pakalpojuma sniedzējam. Ražotājs neuzņemsies atbildību par bojājumiem, kas radušies nepilnvarotu personu veiktu darbību rezultātā, un tas var atcelt iekārtas garantiju. Pirms

uzstādīšanas uzmanīgi izlasiet instrukcijas.

- Neizmantojiet iekārtu, ja tā ir bojāta vai ja redzams kāds bojājums.
- Pēc katras izmantošanas reizes pārbaudiet, vai iekārtas funkciju pārslēgi ir novietoti izslēgtā pozīcijā.

### Drošība gāzes izmantošanas laikā

- Jebkurus darbus, kas saistīti ar gāzes aprīkojumu un sistēmām, drīkst veikt tikai pilnvaroti speciālisti.
- Pirms uzstādīšanas pārliedzinieties, ka vietējie piegādes nosacījumi (gāzes tips un gāzes spiediens) un iekārtas noregulētie parametri ir savietojami.
- Šī iekārta nav pievienota sadegšanas produktu nosūkņēšanas ierīcei. Tā var tikt uzstādīta un pievienota atbilstoši spēkā esošajiem uzstādīšanas noteikumiem. Īpaša uzmanība jāpievērš attiecīgajām prasībām par ventilāciju; skatiet *Pirms uzstādīšanas, Lappuse 12*
- Gāzes iekārtas izmantošana rada karstumu, mitrumu un sadegšanas produktus telpā, kurā tā ir novietota. Nodrošiniet virtuvē labu ventilāciju, it īpaši iekārtas

izmantošanas laikā: turiet atvērtus dabiskos ventilācijas avotus vai uzstādiet mehānisku ventilācijas iekārtu (mehānisko nosūcēju). Ilgstoša, intensīva iekārtas izmantošana var radīt nepieciešamību pēc papildu ventilācijas, piemēram, mehāniskās ventilācijas – ja tāda tiek izmantota – jaudas palielināšanas.

- Regulāri jāpārbauda, vai gāzes iekārtas un sistēmas pareizi darbojas. Regulatoru, šļūteni un tās apskavu ir regulāri jāpārbauda un jānomaina pēc ražotāja ieteiktā laika paiešanas vai nepieciešamības gadījumā.
- Regulāri tīriet gāzes degļus. Liesmām jābūt zilā krāsā un vienmērīgām.
- Gāzes iekārtām nepieciešama laba sadegšana. Ja sadegšana ir nepilnīga, var rasties tvana gāze (CO). Tvana gāze ir bezkrāsaina un ļoti indīga gāze bez jebkādas smaržas, kas ir letāla pat ļoti nelielās devās.
- Pieprasiet gāzes ārkārtas izsaukuma dienesta tālruna numuru un informāciju par drošības pasākumiem gadījumā, ja jūtama gāzes smaka.

**Ko darīt, ja jūtama gāzes smaka**

- Neizmantojiet atklātu liesmu un nesmēķējiet! Neizmantojiet

elektrības ieslēgšanas/izslēgšanas pogas (piem., lampas pogu, durvju zvanu utt.). Neizmantojiet fiksēto vai mobilo tālruni. Sprādziena un intoksikācijas risks!

- Atveriet durvis un logus.
- Aizveriet visus gāzes iekārtu un gāzes skaitītāju ventiļus.
- Pārbaudiet, vai visas caurules un savienojumi ir cieši savienoti. Ja vēl arvien jūtama gāzes smaka, atstājiet dzīvokli.
- Brīdiniet kaimiņus.
- Izsauciet ugunsdzēsējus. Izmantojiet tālruni ārpus mājas.
- Neejiet iekšā ēkā, ja vien nav paziņots, ka tas ir droši.

### **Produkta drošība**

- Šī iekārta un tās ārējās daļas lietošanas laikā sakarst. Rīkojieties uzmanīgi un nepieskarieties sildelementiem. Par 8 gadiem jaunāki bērni nedrīkst atrasties iekārtas tuvumā, ja vien viņi netiek pastāvīgi uzraudzīti.
- Nekādā gadījumā neielietojiet iekārtu tad, kad jūsu spriešanas spējas vai koordinācija ir pasliktinājusies alkohola un/vai medikamentu lietošanas rezultātā.
- Uzmanieties, ja traukos atrodas alkoholiskie dzērieni. Alkohols augstā temperatūrā izgaro un var izraisīt ugunsgrēku, jo nonākot

saskarē ar karstām virsmām var aizdegties.

- Nenovietojiet blakus iekārtai viegli uzliesmojošus materiālus, jo izmantošanas laikā iekārtas sāni var sakarst.
  - Šī iekārta izmantošanas laikā sakarst. Rīkojieties uzmanīgi un nepieskarieties sildelementiem krāsns iekšpusē.
  - Neaizsprostojiet ventilācijas atveres.
  - Nekarsējiet cepeškrāsnī aizvērtas skārdenes un stikla burkas. Burkā var sakrāties spiediens un burka var uzsprāgt.
  - Nelieciet cepešpannas, traukus vai alumīnija foliju tieši uz cepeškrāsns pamatnes. Siltuma uzkrāšanās var sabojāt cepeškrāsns pamatni.
  - Neizmantojiet asus tīrīšanas līdzekļus vai asus metāla skrāpjus cepeškrāsns durvju stikla tīrīšanai, jo tie var saskrāpēt virsmu un rezultātā stikls var ieplaisāt.
  - Ierīces tīrīšanai neizmantojiet tvaika tīrītājus, jo tas var izraisīt elektriskās strāvas triecienu.
  - Pareiza stieplu plaukta un paplātes novietošana uz stieplu režģiem  
Stieplu plaukta un/vai paplātes pareiza novietošana uz plaukta ir ļoti svarīga. Iebīdiet stieplu plauktu vai paplāti starp 2
- slīdēm. Pirms pārtikas novietošanas uz grila vai paplātes pārliecinieties, vai tie ir stabili ievietoti. (Lūdzu, skatiet attēlu tālāk.)
- Neizmantojiet iekārtu, ja priekšējo durvju stikls ir izņemts vai ieplaisājis.
  - Karstā cepeškrāsnī ievietojot ēdienus un tos izņemot no cepeškrāsns, vienmēr izmantojiet siltumizturīgus virtuves cimodus.
  - Ieklājiet cepamo papīru ēdiena gatavošanas katlā vai cepeškrāsns piederumā (paplātē, grila režģī utt.) kopā ar ēdienu un ievietojiet visu iepriekš sasildītā krāsnī. Noņemiet cepamā papīra liekās daļas, kas atrodas ārpus piederuma vai katla malām, lai novērstu cepamā papīra saskaršanos ar cepeškrāsns sildelementu. Nekad nelietojiet cepamo papīru temperatūrā, kas pārsniedz norādīto cepamā papīra lietošanas temperatūru. Neklājiet cepamo papīru tieši uz cepeškrāsns pamatnes.
  - Neaizveriet augšējo vāku pirms sildriņķu vai degļu atdzišanas. Pirms atvēršanas augšējo vāku noslaukiet, lai izvairītos no ūdens izlīšanas cepeškrāns aizmugurē un iekšpusē.
  - Ar tauriņiem un eļļu gatavota ēdiena atstāšana uz ieslēgtas plīts

bez uzraudzības var izraisīt ugunsgrēku. NEKAD nemēģiniet nodzēst uguni ar ūdeni, bet izslēdziet iekārtu un nosedziet liesmu, piemēram, ar vāku vai ugunsdzēsamo segu.

- Aizdegšanās risks! Neglabājiet lietas uz ēdiena gatavošanas virsmām.

Lai nodrošinātu iekārtas ugunsdrošību, rīkojieties šādi.

- Pārlicinieties, ka spraudkontakts labi atbilst kontaktligzdai, kā arī nedzirksteļo.
- Neizmantojiet bojātu vai iepļūsušu vadu vai pagarinātāju, atskaitot oriģinālo vadu.
- Nodrošiniet, lai uz iekārtas ligzdas nenokļūst šķidrums vai mitrums.
- Pārlicinieties, vai ierīce pievienota gāzes avotam un nenotiek gāzes noplūde.

### **Paredzētā lietošana**

- Šī iekārta ir paredzēta izmantošanai mājāsaimniecībā. Tās lietošana komerciālām vajadzībām nav pieļaujama.
- Šī iekārta ir paredzēta tikai ēdiena gatavošanai. To nevajadzētu izmantot nekādiem citiem mērķiem, piemēram, telpas apsildīšanai.
- Ražotājs neuzņemsies atbildību par bojājumiem, kas radušies nepareizas izmantošanas vai apiešanās rezultātā.

- Krāsns var tikt izmantota ēdiena atlaidīšanai, cepšanai, apcepšanai un grilēšanai.

### **Bērnu drošība**

- Ārējās daļas lietošanas laikā var sakarst. Neļaujiet tuvumā atrasties maziem bērniem.
- Iepakojuma materiāli var būt bīstami bērniem. Neļaujiet bērniem spēlēties ar iepakojuma materiāliem. Lūdzu, atbrīvojieties no visām iepakojuma daļām atbilstoši vides standartiem.
- Elektriskās un/vai gāzes iekārtas ir bīstamas bērniem. Iekārtas darbības laikā neļaujiet bērniem atrasties tās tuvumā, un neļaujiet bērniem spēlēties ar iekārtu.
- Pieejami papildu aizsarglīdzekļi, kas palīdzēs izvairīties no pieskaršanās krāsns durtiņām. Šo detaļu jāizmanto tad, kad paredzams, ka tuvumā atradīsies mazi bērni.
- Nenovietojiet virs iekārtas nekādus priekšmetus, pēc kuriem bērni varētu sniegties.
- Kad krāsns durvis ir atvērtas, nelieciet uz tām smagus priekšmetus un neļaujiet bērniem uz tām sēdēt. Tas var izraisīt krāsns apgāšanos vai sabojāt durvju eņģes.

### **Atbrīvošanās no vecās iekārtas**

#### **Atbrīvošanās no iepakojuma materiāla**

- Iepakojuma materiāli ir bīstami bērniem. Turiet iepakojuma materiālus drošā vietā, kurā tiem

nevar piekļūt bērni. Iekārtas iepakojuma materiāli ir izgatavoti no otrreizēji pārstrādājamiem materiāliem. Atbrīvojieties no tiem pareizi un sašķirojiet atbilstoši noteikumiem par atkritumu pārstrādi. Neatbrīvojieties no tiem kopā ar parastajiem mājsaimniecības atkritumiem.

### Atbrīvošanās no vecās iekārtas

- Saglabājiet iekārtas oriģinālo kastī un transportējiet iekārtu tajā. Ievērojiet uz kartona kastes dotos norādījumus. Ja jums nav oriģinālās kartona kastes, iepakojiet iekārtu burbulplēvē vai biežā kartonā un rūpīgi aptiniet ar līmlenti.
- Lai stieplu plaukts un paplāte, kas atrodas krāsni, nesabojātu krāsns durvis, krāsns durvju iekšpusē,

vienā līmenī ar paplātēm, piestipriniet kartona strēmelītes. Ar līmlenti pielīmējiet krāsns durvis pie sānu sienām.

- Nostipriniet degļu vāciņus un katlu atbalsta režģus ar līmlenti.
- Neceliet un nepārvietojiet iekārtu, to turot aiz durvīm vai roktura.



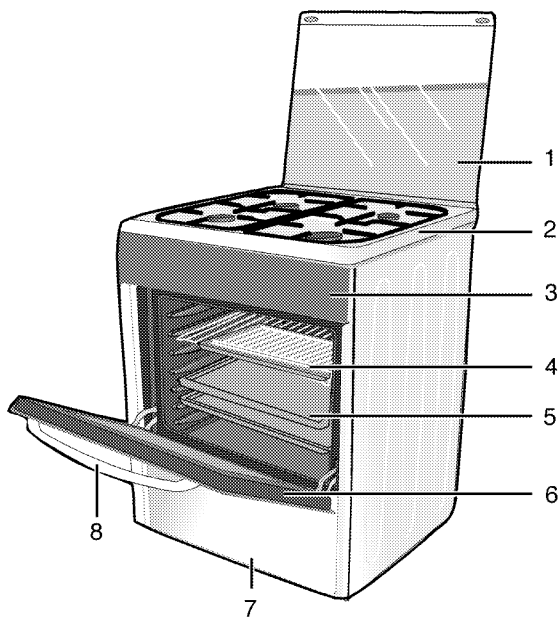
Nenovietojiet uz iekārtas nekādus priekšmetus un pārvietojiet to stateniski.



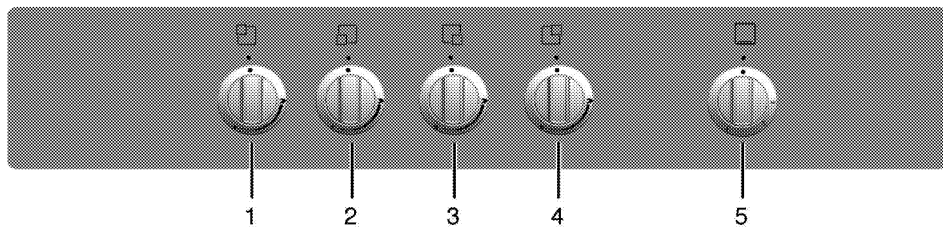
Aplūkojiet savu iekārtu un pārliecinieties, vai transportēšanas laikā tā nav tikusi bojāta.

## 2 Vispārīgā informācija

### Pārskats



- |   |                 |   |                   |
|---|-----------------|---|-------------------|
| 1 | Augšējais vāks  | 5 | Panna             |
| 2 | Degļa plāksne   | 6 | Priekšējās durvis |
| 3 | Vadības panelis | 7 | Apakšējā daļa     |
| 4 | Stieplu plaukts | 8 | Rokturis          |



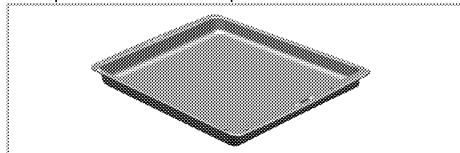
- |   |  |
|---|--|
| 1 | Parasts deglis Aizmugures kreisā puse        |
| 2 | Papildu deglis Priekšpusē kreisā puse        |
| 3 | Ātri izmantojams deglis Priekšpusē labā puse |
| 4 | Parasts deglis Aizmugures labā puse          |
| 5 | Krāsns poga                                  |

## Iepakojuma saturs



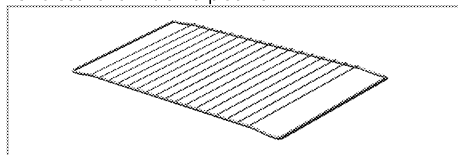
Komplektācijā ietilpstošie piederumi atšķiras atkarībā no iekārtas modeļa. Jūsu iekārtai var nebūt paredzēti visi lietotāja rokasgrāmatā aprakstītie piederumi.

1. **Lietotāja rokasgrāmata**
2. **Cepeškrāsns paplāte**  
Lietoama konditorijas izstrādājumiem, saldētai pārtikai un lieliem cepešiem.



### 3. Stieplu plaukts

Lietoams apcepšanai un sautējuma traukos cepamās, apcepamās vai gatavojamās pārtikas novietošanai uz vēlamā plaukta.



## Tehniskā specifikācija

VISPĀRĒJĀ INFORMĀCIJA	
Arējie izmēri (augstums/platums/dzīlums)	850 mm/500 mm/500 mm
Gāzes iekārtas kategorija	II 2H3B/P
Gāzes tips/spiediens	NG G 20/20 mbar
Kopējais gāzes patēriņš	9.5 kW
Gāzes tipa/spiediena konvertēšana <sup>S</sup>	LPG G 30/30 mbar
– izveles iespēja	
PLITS VIRSMA	
Degļi	
Aizmugures kreisā puse	Parasts deglis
Jauda	2.0 kW
Priekšpuses kreisā puse	Papildu deglis
Jauda	1.0 kW
Priekšpuses labā puse	Ātri izmantojams deglis
Jauda	2.5 kW
Aizmugures labā puse	Parasts deglis
Jauda	2.0 kW
CEPEŠKRASNS	
Galvenā krāsns	Gāzes cepeškrāsns
Cepeškrāsns gāzes patēriņš	2.0 kW



Tehniskā specifikācija var mainīties bez iepriekšēja brīdinājuma, lai uzlabotu iekārtas kvalitāti.



Attēli šajā rokasgrāmatā ir shematiski un, iespējams, precīzi neatbilst jūsu produktam.



Uz iekārtas uzlīmēm vai dokumentācijā norādītās vērtības ir iegūtas laboratorijas apstākļos, atbilstoši attiecīgajiem standartiem. Atkarībā no iekārtas lietošanas un vides apstākļiem, šīs vērtības var atšķirties.



## Inžektora tabula

Plīts virsmas zona	2.0 kW Aizmugures kreisā puse	1.0 kW Priekšpuses kreisā puse	2.5 kW Priekšpuses labā puse	2.0 kW Aizmugures labā puse
G 20/20 mbar	103	72	125	103
G 30/28-30 mbar	72	50	80	72
Gāzes tips / Gāzes spiediens		Gāzes cepeškrāsns		
G 20/20 mbar		105		
G 30/28-30 mbar		71		

### 3 Uzstādīšana

Iekārtu jāuzstāda kvalificētam speciālistam atbilstoši spēkā esošajiem noteikumiem. Pretējā gadījumā garantija tiks atcelta. Ražotājs neuzņemsies atbildību par bojājumiem, kas radušies nepilnvarotu personu veiktu darbību rezultātā, un tas var atcelt iekārtas garantiju.



Par iekārtas novietošanas vietas sagatavošanu un pievienošanu elektrotīklam un gāzesvadam ir atbildīgs pats klients.



#### BĪSTAMI:

Šī iekārta jāuzstāda atbilstoši visiem vietējiem gāzes un/vai elektrības noteikumiem.

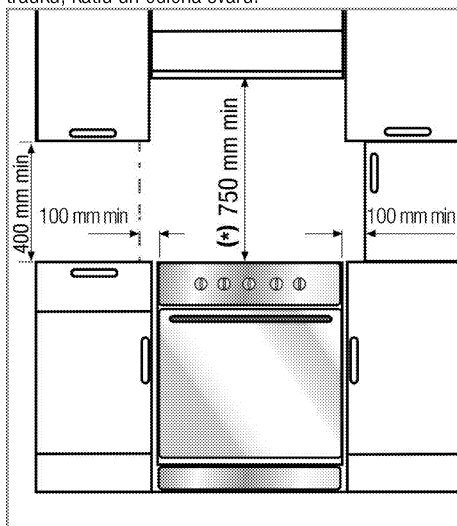


#### BĪSTAMI:

Pirms uzstādīšanas vizuāli pārbaudiet, vai nav redzami iekārtas bojājumi. Ja redzami bojājumi, tad neuzstādiet iekārtu. Bojātas iekārtas var radīt risku jūsu drošībai.

### Pirms uzstādīšanas

Lai nodrošinātu to, ka zem iekārtas nepaliek nozīmīga gaisa sprauga, ieteicams šo iekārtu uzstādīt uz izturīgas pamatnes un nodrošināt, lai tās kāja neiegrimst paklājā vai mīkstā grīdas segumā. Virtuves grīdai jāspēj izturēt iekārtas svaru, kā arī trauku, katlu un ēdiena svaru.



- To var izmantot arī pa vidu starp mēbelēm, tomēr jāatstāj minimālais 400 mm atstatums virs sildīrņka un 100 mm atstatums sānos starp iekārtu un jebkuru sienu, starpsienu vai bufeti.

- Tas var tikt izmantots arī atsevišķi novietotām iekārtām. Virs plīts virsmas atstājiet vismaz 750 mm.
- (\*) Ja virs plīts ir jāuzstāda nosūcējs, tad uzstādīšanas augstumu skatieties plīts nosūcēja ražotāja norādījumos par uzstādīšanu (min. augstums ir 650 mm).
- Šī ir 1. klases iekārta, tādēļ var tikt novietota ar aizmuguri un vienu sānu pie virtuves sienas, virtuves mēbelēm vai jebkura izmēra aprīkojuma. Virtuves mēbeles vai aprīkojums otrā pusē drīkst būt tikai tāda paša vai mazāka izmēra.
- Jebkurām virtuves mēbelēm, kas atrodas līdzās iekārtai, jābūt karstumizturīgām (min. līdz 100 °C).

### Istabas ventilācija

Visās telpās vajadzīgs kāds atverams logs vai tamlīdzīgi, un dažās telpās nepieciešama pastāvīga vēdināšana.

Sasildāmais gaiss tiek panemts no istabas un izplūdes gāzes tiek emitētas tieši istabā.

Labā istabas ventilācija ir ļoti svarīga drošai iekārtas darbībai. Ja nav iespējama istabas vēdināšana, atverot logu vai durvis, tad jāierīko papildu ventilācija.

Iekārta var tikt novietota virtuvē, virtuvē-ēdamistabā vai viesistabā-guļamistabā, tomēr to nedrīkst novietot telpā, kurā atrodas vanna vai dušas kabīne. Iekārta nedrīkst tikt uzstādīta viesistabā-guļamistabā, kas ir mazāka par 20 m<sup>3</sup>.

Neuzstādiet šo iekārtu istabā, kas atrodas zemāk par zemes līmeni, ja vien vismaz vienā pusē tā nav atvērta uz zemes līmeni.

Istabas lielums	Ventilācijas atvere
mazāka par 5 m <sup>3</sup>	min. 100 cm <sup>2</sup>
5 m <sup>3</sup> līdz 10 m <sup>3</sup>	min. 50 cm <sup>2</sup>
lielāka par 10 m <sup>3</sup> /den	nav nepieciešama
Pagrabā vai pagraba stava	min. 65 cm <sup>2</sup>

### Uzstādīšana un pievienošana

Iekārtu var uzstādīt un pievienot tikai atbilstoši valstī pieņemtajiem noteikumiem par uzstādīšanu.



Neuzstādiet iekārtu blakus ledusskapjiem vai saldētāvam. Iekārtas izstarotais siltums palielinās dzesēšanas iekārtu enerģijas patēriņu.

- Iekārta ir jānes vismaz divām personām.

- Iekārta ir jānovieto tieši uz grīdas. Tā nedrīkst tikt novietota uz pamatnes vai paaugstinājuma.



Nenesiet un nepārvietojiet iekārtu, to turot aiz durvīm un/vai roktura. Var tikt bojātas durvis, rokturis vai eņģes.

### Gāzes savienojums



#### **BĪSTAMI:**

Iekārtu pie gāzes tīkla drīkst pievienot tikai pilnvarots un kvalificēts speciālists. Sprādziena vai intoksikācijas risks neprofesionāla remonta rezultātā. Ražotājs neuzņemsies atbildību par bojājumiem, kas radīšies nepilnvarotu personu veiktu darbību rezultātā.



#### **BĪSTAMI:**

Pirms jebkura darba, kas saistīts ar gāzes instalāciju, atslēdziet gāzes padevi. Pastāv sprādziena risks!

- Gāzes regulēšanas nosacījumi un vērtības ir norādīti uz uzlīmēm (vai jona tipa uzlīmes).



Jūsu iekārta ir aprīkota darbam ar dabasgāzi (DG).

- Dabasgāzes instalāciju ir jāgatavo pirms iekārtas uzstādīšanas.
- Pie iekārtas izplūdes atveres jābūt elastīgai caurulei, kas paredzēta dabasgāzes pievienošanai, un šīs caurules galam jābūt aizvērtam ar aizbāzni. Apkalpošanas pārstāvis pievienošanas laikā izņems šo aizbāzni un tieši pievienos jūsu iekārtu (sakabes veidā).
- Pārliecinieties, ka dabasgāzes ventilis ir viegli pieejams.
- Ja vēlāk iekārtu nepieciešams izmantot ar citu gāzes veidu, jums jākonsultējas ar pilnvarotu pakalpojuma sniedzēju par attiecīgo konversijas procedūru.



#### **BĪSTAMI:**

Gāzes šļūtene nedrīkst tikt saspiests, salocīts vai iespiests vai saskarties ar iekārtas karstajām detaļām. Pastāv sprādziena risks gāzes šļūtenes bojājuma rezultātā!

- Piebidiet iekārtu pie virtuves sienas.
- **Plīts kāju noregulēšana**  
Trauki var kustēties dēļ vibrācijas izmantošanas laikā. No šīm bīstamās situācijās var izvairīties, ja iekārta ir novietota taisni un vienā līmenī. Savai paša drošībai, lūdzu, nodrošiniet, ka iekārta atrodas vienā līmenī, noregulējot četras

kājiņas iekārtas apakšā, tās pagriežot pa kreisi vai labi un novietojot vienā līmenī darba virsmu.

### Pēdējā pārbaude

1. Atveriet gāzes avotu.
2. Pārbaudiet, vai gāzes iekārta ir droši un cieši pievienota.
3. Piešķiliet degļus un pārbaudiet, kāda izskatās liesma.



Ir jābūt zilai un regulāras formas liesmai. Ja liesmas ir dzeltenīgas, pārbaudiet, vai degļa vāciņš ir droši novietots, vai notīriet degli.

### Gāzes konversija



#### **BĪSTAMI:**

Pirms jebkura darba, kas saistīts ar gāzes instalāciju, atslēdziet gāzes padevi. Pastāv sprādziena risks!

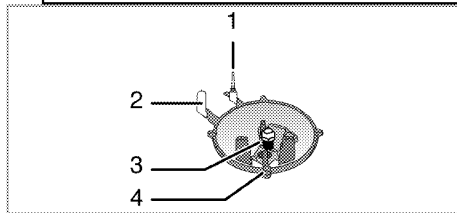
Lai mainītu iekārtas gāzes tipu, nomainiet visus inžektorus un noregulējiet liesmu visiem gāzes vārstiem, samazinot caurplūdumu.

### Nomainiet degļu inžektoru

1. Noņemiet degļa vāciņu un degļa korpusu.
2. Atskrūvējiet inžektorus, tos griežot pretēji pulsteņrādītāju kustības virzienam.
3. Ielieciet jaunus inžektorus.
4. Pārbaudiet, vai visi savienojumi ir cieši savienoti.



Jauno inžektoru atrašanās vieta ir atzīmēta uz to iepakojumu vai arī *Inžektora tabula, Lappuse 11* atrodama tabulā.



1. Avārijas ierīce (atkarībā no modeļa)
2. Aizdedzes svece
3. Inžektors
4. Deglis



Ja vien nav neparasta darbība, nemēģiniet noņemt gāzes degļu krānus. Ja nepieciešams krānu nomaina, vērsieties pie pilnvarota pakalpojuma sniedzēja.

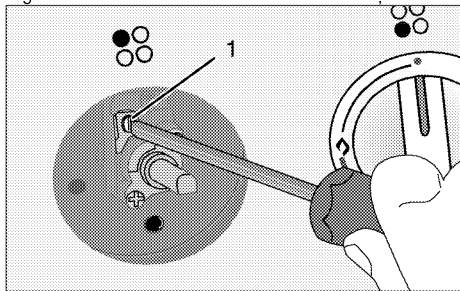
## Samazināts gāzes caurplūduma iestatījums plīts virsmas krāniem

1. Aizdedziniet noregulējamo degli un pagrieziet pārslēgu samazinātas liesmas stāvoklī.
2. Noņemiet gāzes krāna pogu.
3. Lai pielāgotu plūsmas ātruma regulēšanas skrūvi, lietojiet piemērota izmēra skrūvgriezi.

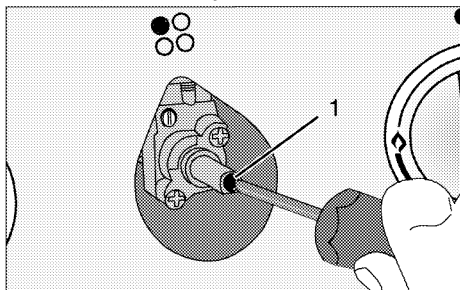
Ja tiek izmantota LPG (propāna-butāna) gāze, pagrieziet skrūvi pulksteņrādītāju kustības virzienā. Ja tiek izmantota dabasgāze, tad skrūve ir vienreiz jāpagriež **pretēji pulksteņrādītāja kustības virzienam**.  
» Parastam taisnas liesmas augstumam samazinātā stāvoklī jābūt 6-7 mm.

4. Ja liesma ir augstāka nekā vēlams, grieziet skrūvi pulksteņrādītāju kustības virzienā. Ja tā ir mazāka, grieziet to pretēji pulksteņrādītāju kustības virzienam.
5. Lai izdarītu pēdējo pārbaudi, novietojiet degli pēc kārtas abos galējos stāvokļos un pārbaudiet, vai liesma attiecīgi iedegas un nodziest.

Atkarībā no jūsu iekārtai izmantotā gāzes krāna, regulēšanas skrūves atrašanās vieta var atšķirties.



1 Caurplūduma noregulēšanas skrūve



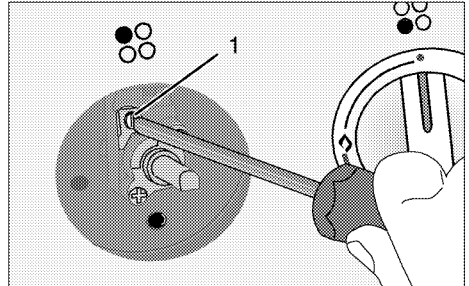
1 Caurplūduma noregulēšanas skrūve

## Gāzes cepeškrāsns samazinātas plūsmas noregulēšana

Lai cepeškrāsns pareizi darbotos, ļoti svarīgi, lai tiktu atkārtoti pārbaudīta apvada noregulēšana. Lai

lietotajam nodrošinātu maksimālo drošību, šis darbības jāvair piesardzīgi.

1. Aizdedziniet noregulējamo degli un pagrieziet pārslēgu lielas liesmas stāvoklī.
2. Aizveriet cepeškrāsns durvis un pagaidiet 10-15 minūtes, līdz cepeškrāsns ir gatava regulēšanai.
3. Noņemiet pārslēgu
4. Pēc 15 minūtēm noregulējiet cepeškrāsns vismazākās liesmas stāvoklī.



5. Ar krāsns termostata skrūves 1 palīdzību iestatiet liesmas augstumu no 2 līdz 3 mm. Pagriežot skrūvi pulksteņrādītāju kustības virzienā, liesma samazināsies, bet pagriežot to pretēji pulksteņrādītāju kustības virzienam, liesma palielināsies.



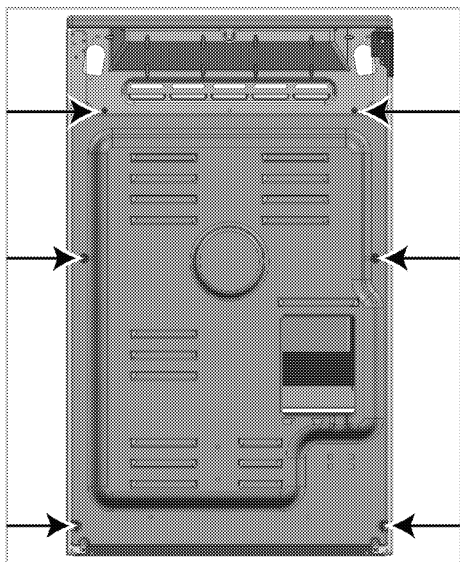
Ja plīts gāzes plūsmas ātrumu nevar iestatīt ar noņemamo pārslēgu, lūdzu, noņemiet vadības paneli un pēc tam iestatiet plīts gāzes plūsmas ātrumu.



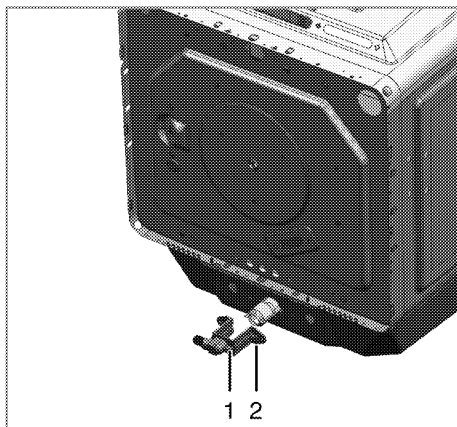
Ja cepeškrāsns temperatūra pati par sevi palielinās, izslēdziet krāsns un vērsieties pie pilnvarota pakalpojumu sniedzēja, lai tiktu nomainīts cepeškrāsns termostats.

## Cepeškrāsns inžektora nomaīņa

1. Atskrūvējiet aizmugurējās sienas stiprinājuma skrūves.



2. Atskrūvējiet inžektora turētāja (1) 2 skrūves (2).



- 1 Inžektora turētājs
- 2 Skrūve
3. Izvelciet ārā inžektora turētāju.
4. Atskrūvējiet inžektoru, to griežot pretēji pulksteņrādītāju kustības virzienam.
5. Ielieciet jaunu inžektoru.

**i** Ja iekārtas gāzes tips ir mainīts, tad jānomaina arī tehnisko pamatdatu plāksnīte, kas norāda gāzes tipu.

Butāns/propāns	Dabagāze
Pievelciet skrūvi līdz galam	Atskrūvējiet skrūvi 1/2 apgriezieni

## 4 Sagatavošana

### Padomi par elektroenerģijas taupīšanu

Šī informācija jums palīdzēs izmantot iekārtu ekoloģiski un ekonomiski.

- Gatavojiet ēdienu cepeškrāsnī tumšas krāsas un emaljētos traukos, jo tas nodrošinās labāku siltuma vadīšanu.
- Pirms ēdiena gatavošanas iepriekš sasildiet cepeškrāsnī, ja tas ir ieteikts lietotāja rokasgrāmatā vai ēdiena gatavošanas pamācībā.
- Ēdiena gatavošanas laikā bieži neviriniet cepeškrāsns durtiņas.
- Ja vien iespējams, mēģiniet cepeškrāsnī vienlaikus gatavot vairākus ēdienus. Varat gatavot ēdienu novietojot divus traukus ar ēdienu uz grila režģa.
- Ja jums jāgatavo vairāki ēdieni, gatavojiet tos uzreiz vienu pēc otra. Tad cepeškrāsns jau būs karsta.
- Pirms saldētu ēdiena gatavošanas tos atlaidiniet.
- Ēdiena gatavošanai izmantojiet katlus/pannas ar vākiem. Gatavojot ēdienu bez vāka, elektroenerģijas patēriņš var būt 4 reizes lielāks.
- Izvēlieties izmantojamā katla pamatnes izmēram piemērotu degli. Vienmēr izvēlieties ēdieniem piemērota izmēra katlu. Lielākiem katliem ir nepieciešams lielāks elektroenerģijas daudzums.

### Sākotnējā izmantošana

#### Iekārtas pirmā tīrīšanas reize



Virsmu var sabojāt zināmi mazgāšanas līdzekļi vai tīrīšanas materiāli.

Tīrīšanai neizmantojiet agresīvus mazgāšanas līdzekļus, tīrīšanas pulverus/krēmus vai citus asus priekšmetus.

1. Noņemiet visus iepakojuma materiālus.
2. Noslaukiet iekārtas virsmas ar mitru drāniņu vai sūklīti un noslaukiet ar drāniņu.

#### Sākotnējā sakarsēšana

Karsējiet iekārtu aptuveni 30 minūtes un pēc tam izslēdziet. Šādā veidā tiks nodedzināti un notīrīti jebkuri ražošanas atlikumi vai slāņi.



#### BRĪDINĀJUMS

Karstas virsmas izraisa apdegumus! Iekārta lietošanas laikā var būt karsta. Nekādā gadījumā nepieskarieties karstiem degļiem, krāsns iekšpusei, sildelementiem utt. Neļaujiet bērniem atrasties krāsns tuvumā. Karstā cepeškrāsnī ievietojot ēdienus un tos izņemot no cepeškrāsns, vienmēr izmantojiet siltumizturīgus virtuves cimds.

#### Gāzes cepeškrāsns

1. Izņemiet no cepeškrāsns visas paplātes un grila režģi.
2. Aizveriet cepeškrāsns durvis.
3. Izvēlieties vislielāko gāzes cepeškrāsns liesmu. Skatiet *Gāzes krāsns izmantošana, Lappuse 19*.
4. Darbiniet cepeškrāsnī aptuveni 30 minūtes.
5. Izslēdziet cepeškrāsnī. Skatiet *Gāzes krāsns izmantošana, Lappuse 19*



Sākotnējās izmantošanas laikā iekārta var pāris stundas dūmot un smakot. Tā ir visai normāli. Nodrošiniet, ka telpa tiek labi vēdināta, lai izvadītu dūmus un smaku. Izvairieties no tiešas radušos dūmu un smakas ieelpošanas.

## 5 Plīts virsmas izmantošana

### Vispārīga informācija par ēdiena gatavošanu



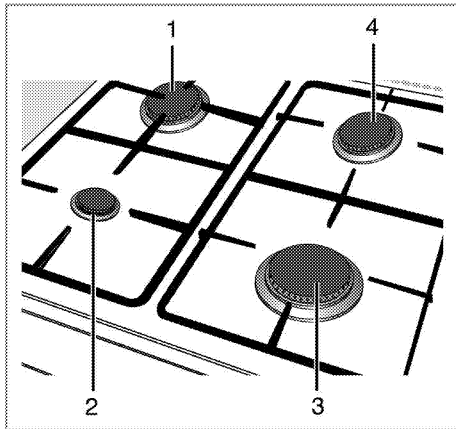
Nekādā gadījumā nepiepildiet pannu ar vairāk vienu trešdaļu eļļas. Eļļas sakarsēšanas laikā neatstājiet plīts virsmu bez uzraudzības. Pārkarseta eļļa rada aizdegšanās risku. **Nekad nemēģiniet dzēst uguni ar ūdeni!** Kad eļļa aizdegas, apsedziet to ar ugunsdzēsamo segu vai mitru drānu. Izslēdziet plīts virsmu, ja tas nerada draudus jūsu drošībai, un piezvaniet ugunsdzēsības dienestam.

- Pirms ēdiena cepšanas vienmēr to labi nosusiniet un uzmanīgi ielieciet sakarsētā eļļā. Pirms cepšanas pārliicinieties, ka saldētā pārtika ir pilnīgi atlaidzināta.
  - Nelieciet vāku uz trauka, ko izmantojiet eļļas sakarsēšanai.
  - Novietojiet pannas un kastroļus tā, lai to rokturi neatrodas virs plīts virsmas un netiek sakarsēti. Nelieciet uz plīts virsmas nestabilus traukus, kas var viegli sašķiebties.
  - Nelieciet tukšus traukus un katroļus uz ieslēgtām ēdiena gatavošanas zonām. Tie var tikt sabojāti.
  - Ēdiena gatavošanas zonas izmantošana bez trauka vai kastroļa radīs iekārtas bojājumu. Pēc ēdiena gatavošanas pabeigšanas izslēdziet ēdiena gatavošanas zonas.
  - Tā kā iekārtas virsma var būt karsta, nelieciet uz tās plastmasas un alumīnija traukus. Šādus traukus nevajadzētu izmantot arī ēdiena glabāšanai.
  - Izmantojiet tikai kastroļus un traukus ar plakānu apakšu.
  - Ievietojiet kastroļus un pannās atbilstošu ēdiena daudzumu. Tādējādi jūs izvairīsieties no nevajadzīgas pāri malām pārlījuša ēdiena tīrīšanas.
- Nelieciet ēdiena gatavošanas zonās kastroļu vai pannu vākus.
- Novietojiet kastroļus tā, lai tie atrodas ēdiena gatavošanas zonas centrā. Kad vēlaties pārvietot kastroli uz citu ēdiena gatavošanas zonu, nebīdīet to, bet paceliet un nolieciet vēlamajā ēdiena gatavošanas zonā.

### Ēdiena gatavošana uz gāzes

- Trauku un liesmas izmēram ir jāsakrīt. Noregulējiet gāzes liesmas tā, lai liesmas atrastos zem katla apakšas, un novietojiet trauku pa vidu uz kastroļu turētāja.

### Plīts virsmu izmantošana



- 1 Parasts deglis 18-20 cm
- 2 Papildu deglis 12-16cm
- 3 Ātri izmantojams deglis 20-22 cm
- 4 Parasts deglis 18-20 cm ir saraksts ar ieteicamo katlu diametru, kādu vajadzētu izmantot uz attiecīgajiem degļiem.

Liels liesmas simbols norāda uz vislielāko ēdiena gatavošanas jaudu, bet mazs liesmas simbols norāda uz vismazāko ēdiena gatavošanas jaudu. Izslēgtā stāvoklī (uz augšu) nenotiek gāzes padeve degļiem.

### Gāzes degļu aizdegšana

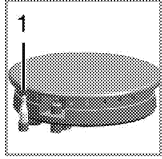
Degļiem ir automātiskā aizdedze. Izmantojiet šķiltavas vai sērkokoņus.

1. Turiet degļa pārslēgu nospiestu.
2. Pagrieziet to pretēji pulkstenrādītāju kustības virzienam līdz lielās liesmas simbolam.
3. Piešķīliet liesmu ar šķiltavām.
4. Noregulējiet vēlamo ēdiena gatavošanas jaudu.

### Gāzes degļu izslēgšana

Turiet silta ēdiena saglabāšanas zonas pārslēgu izslēgtā (augšējā) pozīcijā.

## Drošības sistēma gāzes izslēgšanai (modeļiem ar termisko elementu)



1. Droša gāzes izslēgšana

Skaitītājs mēra izplūdi dēļ šķiduma pārplūdes pie degļiem un drošības mehānisms nostrādā un pārtrauc gāzes padevi.

- Pabīdiet pārslēgu uz iekšpusi un pagrieziet pārslēgu pretēji pulkstenrādītāju kustības virzienam, lai aizdegtu.

- Pēc gāzes aizdegšanās turiet pārslēgu nospiestu vēl 3-5 sekundes, lai aktivizētu drošības sistēmu.
- Ja pēc pārslēga nospiešanas un atlaišanas gāze neaizdegas, atkātojiet to pašu procedūru, turot pārslēgu nospiestu 15 sekundes.



### **BĪSTAMI:**

Atlaidiet pogu, ja deglis neaizdegas pēc 15 sekundēm.

Pirms atkārtota mēģinājuma pagaidiet vismaz 1 minūti. Pastāv gāzes uzkrāšanās un sprādziena risks!



## 6 Krāsns izmantošana

### Vispārīga informācija par cepšanu, apcepšanu



#### BRĪDINĀJUMS

Karstas virsmas izraisa apdegumus! Iekārta lietošanas laikā var būt karsta. Nekādā gadījumā nepieskarieties karstiem degļiem, krāsns iekšpusei, sildelementiem utt. Neļaujiet bērniem atrasties krāsns tuvumā. Karstā cepeškrāsnī ievietojot ēdienes un tos izņemot no cepeškrāsns, vienmēr izmantojiet siltumizturīgus virtuves cimdus.



#### BĪSTAMI:

Atveriet krāsns durvis uzmanīgi, jo pa tām var izplūst karsts tvaiks. Izplūstošais tvaiks var applaucēt rokas, seju un/vai acis.

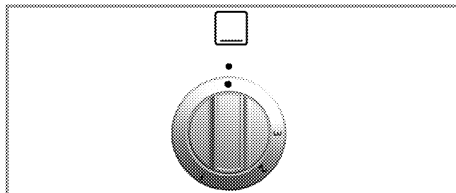
### Padomi par kūku cepšanu

- Izmantojiet metāla šķīvjus ar piemērotu pārklājumu, pie kura pārtika nepielīp, alumīnija kārbas vai karstumizturīgas silikona veidnes.
- Pēc iespējas labāk izmantojiet vietu uz režģa.
- Novietojiet cepamo veidni plaukta vidū.
- Pirms krāsns vai grīla ieslēgšanas izvēlieties pareizo plaukta pozīciju. Nemainiet plaukta novietojumu, kad krāsns ir karsts.
- Turiet krāsns durvis aizvērtas.

### Padomi par gaļas cepšanu

- Pirms pagatavošanas sākšanas vesela cāļa, tītara vai liela gaļas gabala ierīvēšana ar mērci, piemēram citrona sulu un melnajiem pipariem, palielinās ēdiena gatavošanas veiktspēju.
- Gaļu ar kauliem ir jācep aptuveni 15-30 minūtes ilgāk nekā tāda paša izmēra cepetis bez kauliem.
- Katram gaļas biežuma centimetram ir vajadzīgs aptuveni 4-5 minūtes ilgs gatavošanas laiks.
- Pēc ēdiena gatavošanas laika paiešanas atstājiet gaļu krāsni uz vēl aptuveni 10 minūtēm. Tas ļaus gaļas sulai tikt vienmērīgāk sadalītai pa visu cepeti, un tā netecēs gaļas sagriešanas laikā.
- Ugunsizturīgā traukā ievietotu zivi jānovieto uz vidējā vai zemākā plaukta.

### Gāzes krāsns izmantošana

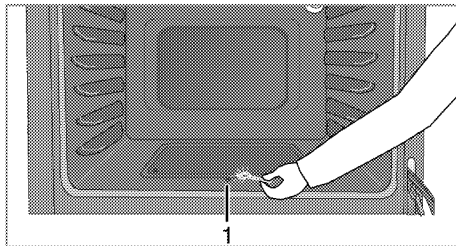


Gāzes krāsns tiek izmantota ar gāzes krāsns pārslēga palīdzību. Izslēgtā stāvoklī (uz augšu) gāzes padeve ir atslēgta.

#### Ieslēdziet gāzes krāsni

Gāzes krāsns liesma tiek piešķilta ar šķiltavām.

1. Atveriet cepeškrāsns durvis.
2. Pieturiet gāzes krāsns pārslēgu piespiestu un pagrieziet to **pretēji pulksteņrādītāja kustības virzienam**.
3. Aizdedziniet gāzi aizdedzes kontroles atverē ar šķiltavu palīdzību.
4. Turiet degļa kontrolslēdzi nospiestu vēl 3-5 sekundes.  
» Pārliecinieties, ka gāze ir aizdegusies un redzama liesma.
5. Turiet degļa kontrolslēdzi piespiestu vēl 3 līdz 5 sekundes.
6. Izvēlieties nepieciešamo cepšanas jaudu / gāzes atzīmi.



1 Aizdedzes kontroles atvere



#### BĪSTAMI:

Pastāv gāzes saspiešanas un sprādziena risks! Nemēģiniet aizdedzināt gāzi ilgāk kā 15 sekundes. Ja deglis neaizdegas pēc 15 sekundēm, izslēdziet pārslēgu un pagaidiet 1 minūti. Pirms atkārtota degļa aizdedzināšanas mēģinājuma izvēdiniet telpu. Pastāv gāzes saspiešanas un sprādziena risks!

## Islēdziet gāzes plīti

1. Pagrieziet gāzes plīts pārslēgu izslēgtā stāvoklī (uz augšu).

Gāzes līmeņu nozīme:

Gāzes līmenis	1	2	3
°C			



Maksimālā slodze uz cepeškrāsns paplāti: 4 kg (8,8 mārc.).



Šajā tabulā norādītie laiki ir norādīti informatīviem nolūkiem. Tie var atšķirties atkarībā no ēdiena temperatūras, biežuma, tipa un jūsu ierastā ēdiena gatavošanas veida.

Lai novērstu izšļakstīšanos uz krāsns pamatnes un saglabātu krāsni tīru, novietojiet ēdienus uz cepamā papīra loksnes.

## Ēdiena gatavošanas laika tabula



1. krāsns režģis ir **apakšējais** režģis.

## Konditorijas izstrādājumu un galas cepšana

Ēdiens	Iepriekšēja sasilšana *	Ievietošanas līmenis	Pārslēga stāvoklis	Ēdiena gatavošanas laiks
Abolu pirāgs	10 min.	4..5	1	25...30 min.
Augļu torte	10 min.	4..5	1	25...35 min.
Pirāgs	10 min.	3..4	1	30...40 min.
Cepumīni	10 min.	4..5	1	25...35 min.
Konditorijas izstrādājumi	10 min.	5	1	35...45 min.
Kēkss	10 min.	3	1	30...40 min.
Cepumi	–	4..5	1	20...30 min.
Cepta jēra gaļa	10 min.	4..5	1	35...45 min. katriem 450 g + 30 min.
Rostbifs	10 min.	2	1	50...60 min. katriem 450 g + 30 min.
Tītars	10 min.	3..4	1	50...60 min. katriem 450 g + 30 min.
Mājputni	10 min.	3..4	1	30...40 min. katriem 450 g + 25 min.
Sautējumi	–	4	1	90...120 min. <sup>5</sup>
Zivis	10 min.	3	1	35...45 min.
Makaroni	10 min.	3..4	1	35...40 min.
Mazi kēksi	10 min.	4	1	30...35 min.
Viktorijas sendvičs	10 min.	3	1	22...28 min.

\* ar pārslēga stāvokli 2 / <sup>5</sup> atkarībā no daudzuma / <sup>#</sup> atkarībā no lieluma

## 7 Apkope un tīrīšana

### Vispārīga informācija

Regulāra tīrīšana pagarina iekārtas kalpošanas laiku un samazina bieži sastopamas problēmas.



#### BĪSTAMI:

Pirms apkalpošanas un tīrīšanas darbu uzsākšanas atvienojiet iekārtu no barošanas avota.

Pastāv elektriskās strāvas trieciena risks.



#### BĪSTAMI:

Pirms tīrīšanas sākšanas ļaujiet iekārtai atdzist.

Karstas virsmas var izraisīt apdegumus!

- Pēc katras lietošanas reizes rūpīgi notīriet iekārtu. Šādi būs iespējams daudz vieglāk notīrīt pēc ēdiena gatavošanas palikušās atliekas, tādējādi izvairoties no to piedegšanas nākamajā iekārtas izmantošanas reizē.
- Iekārtas tīrīšanai nav nepieciešami īpaši tīrīšanas līdzekļi. Iekārtas tīrīšanai izmantojiet siltu ūdeni un mazgāšanas šķidrums, mikstu drāniņu vai švammiti un noslaukiet iekārtu ar mikstu drāniņu.
- Vienmēr pārliecinieties, vai pēc tīrīšanas un uzreiz pēc izšļakstīšanās ir rūpīgi noslaucīts viss lielais ūdens.
- Nerūsējošā tērauda virsmu un roktura tīrīšanai neizmantojiet tīrīšanas līdzekļus, kuru sastāvā ir skābe vai hlorīds. Lai notīrītu šīs daļas, izmantojiet mikstu drāniņu un šķidro mazgāšanas līdzekli (kas nav abrazīvs) un slaukiet tikai vienā virzienā.



Virsmu var sabojāt zināmi mazgāšanas līdzekļi vai tīrīšanas materiāli.

Tīrīšanai neizmantojiet agresīvus mazgāšanas līdzekļus, tīrīšanas pulverus/krēmus vai citus asus priekšmetus.



Ierīces tīrīšanai neizmantojiet tvaika tīrītājus, jo tas var izraisīt elektriskās strāvas triecieni.

### Plīts virsmas tīrīšana

#### Gāzes plīts virsmas

1. Noņemiet un notīriet kastroļu turētājus un degļu vāciņus.
2. Notīriet plīts virsmu.
3. Uzlieciet degļu vāciņus un pārliecinieties, ka tie ir pareizi uzlikti.
4. Uzliekot augšējos režģus, novietojiet kastroļu turētājus tā, lai degļi būtu centrā.

### Vadības paneļa tīrīšana

Notīriet vadības paneli un pogas ar mitru drāniņu un noslaukiet sausus.



Vadības paneļa tīrīšanas laikā neņemiet nost pogas/pārslēgus.

Var tikt sabojāts vadības panelis!

### Krāsns tīrīšana

#### Notīriet krāsns durvis

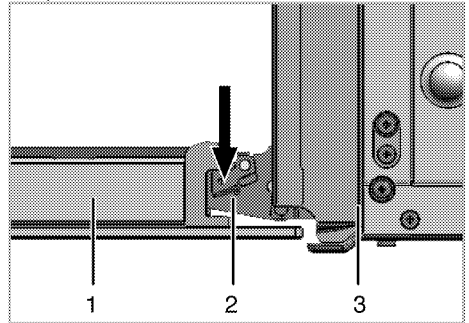
Krāsns durvju tīrīšanai izmantojiet siltu ūdeni un mazgāšanas šķidrums, mikstu drāniņu vai švammiti, un noslaukiet ar sausu drāniņu.



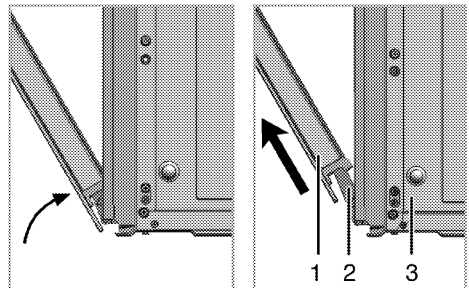
Neizmantojiet krāsns durvju tīrīšanai asus abrazīvus tīrīšanas līdzekļus vai asus metāla skrāpjus. Tie var saskrāpēt virsmu un sabojāt stiklu.

### Krāsns durvju izņemšana

1. Atveriet priekšējās durvis (1).
2. Atveriet klipšus priekšējo durvju eņģu ietvara (2) labajā un kreisajā pusē, piespiežot tos uz leju, kā parādīts attēlā.



1. Priekšējās durvis
2. Eņģe
3. Krāsns



3. Līdz pusei pārvietojiet priekšējās durvis.

4. Izceliet priekšējās durvis, tās pavelkot uz augšu, lai izņemtu no abām enģēm.

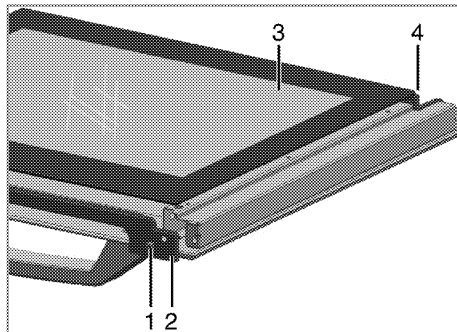


Lai atkal ieliktu durvis, veiciet izņemšanas laikā izdarītās darbības apgrieztā secībā. Pēc durvju ielikšanas atpakaļ neaizmirsiet aizvērt klipšus, kuri atrodas pie enģu ietvara.

### Iekšējo stikla durvju izņemšana

Krāsns durvju iekšējais stikla panelis var tikt izņemts notīrīšanai.

1. Atveriet krāsns durvis.



- 1 Skrūve
  - 2 Profil
  - 3 Iekšējais stikla panelis
  - 4 Plastmasas atvere
2. Ar skrūvgrieža palīdzību izskrūvējiet skrūvi (1).
  3. Izņemiet profilu (2), kas fiksē iekšējo stiklu (3).
  4. Pēc tam atkal salieciet durvis: ievietojiet stikla paneli (3) plastmasas atverēs (4) un uzlieciet profilu.

## 8 Traucējummeklēšana

### Krāsns lietošanas laikā rada tvaiku.

- Tas ir normāli, ka darbības laikā rodas tvaiks. >>> *Tā nav darbības kļūda.*

### Iekārta sakaršanas un atdzišanas laikā rada metāliskus trokšņus.

- Kad metāla daļas ir sakarsušas, tās var izplesties un radīt troksni. >>> *Tā nav darbības kļūda.*

### Nav aizdedzes dzirksteles.

- Nav strāvas. >>> *Pārbaudiet drošinātājus, kas atrodas drošinātāju kārbā.*

### Nav gāzes.

- Galvenais gāzes krāns ir aizvērts. >>> *Atveriet gāzes krānu.*
- Gāzes šļūtenīte ir saliekta. >>> *Levītoji gāzes šļūtenīti pareizi.*

### Degļi nedeg vai nedeg pareizi.

- Degļi ir netīri. >>> *Notīriet degļu sastāvdaļas.*
- Degļi ir slapji. >>> *Noslaukiet degļu sastāvdaļas.*
- Degļa vāciņš nav kārtīgi uzlikts. >>> *Uzlieciet degļa vāciņu pareizi.*
- Gāzes krāns ir aizvērts. >>> *Atveriet gāzes krānu.*
- Gāzes balons ir tukšs (izmantojot LPG). >>> *Nomainiet gāzes balonu.*



Ja nevarat novērst problēmu arī pēc visu šajā sadaļā doto norādījumu izpildes, tad sazinieties ar pilnvarotu apkalpošanas speciālistu vai šīs iekārtas pārdevēju. Nekādā gadījumā nemēģiniet pats salabot bojāto iekārtu.





